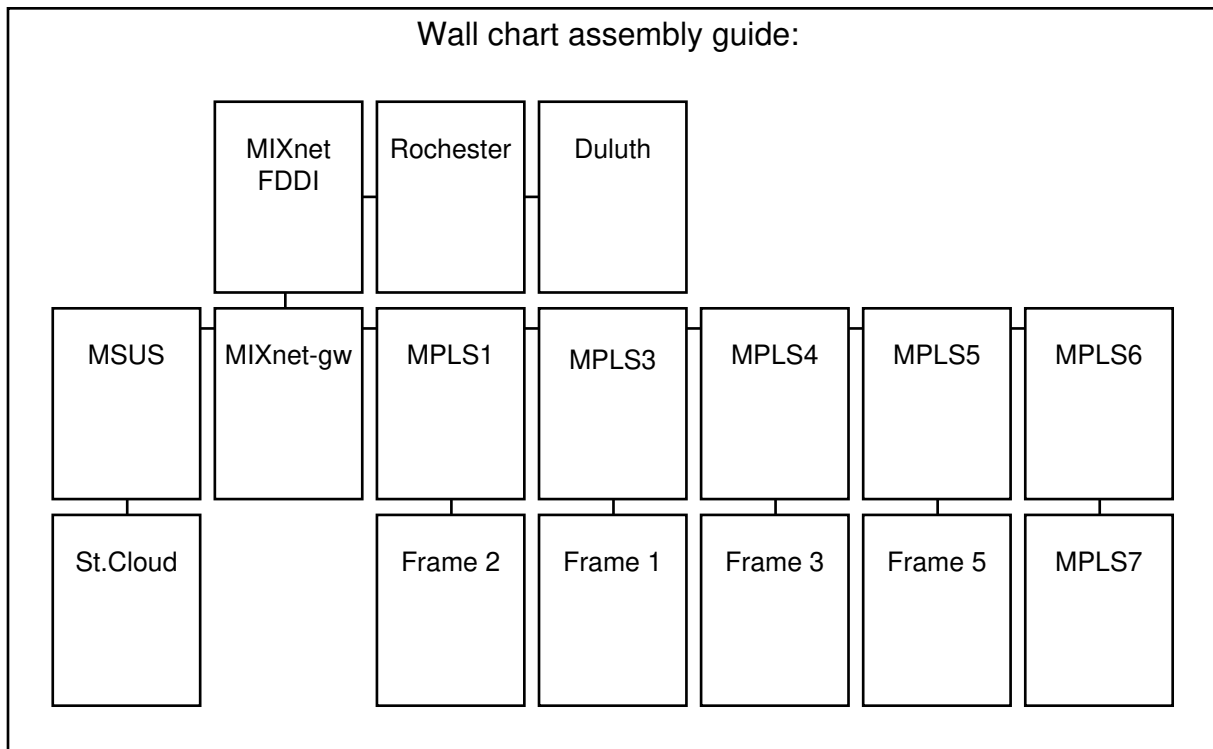
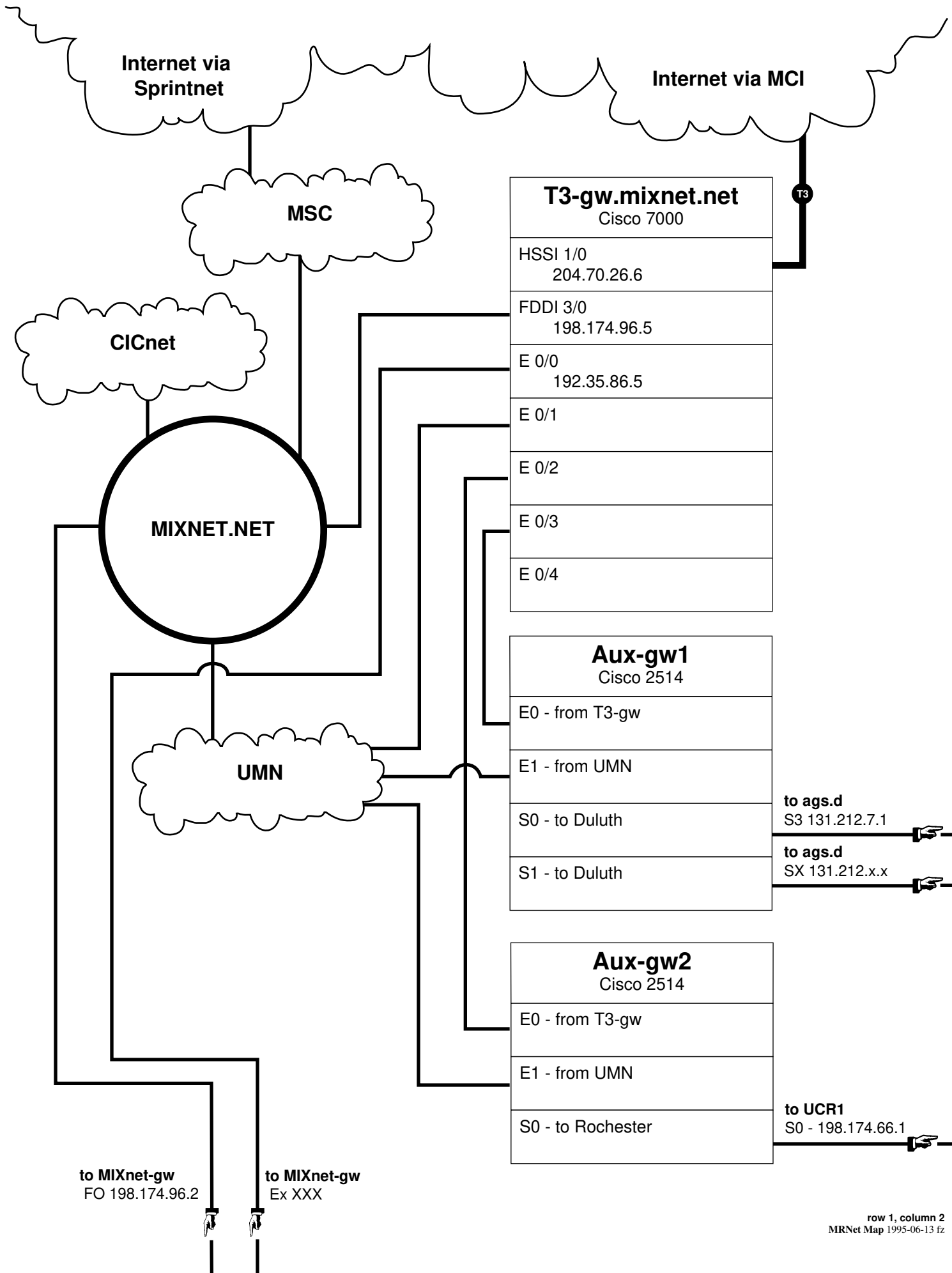


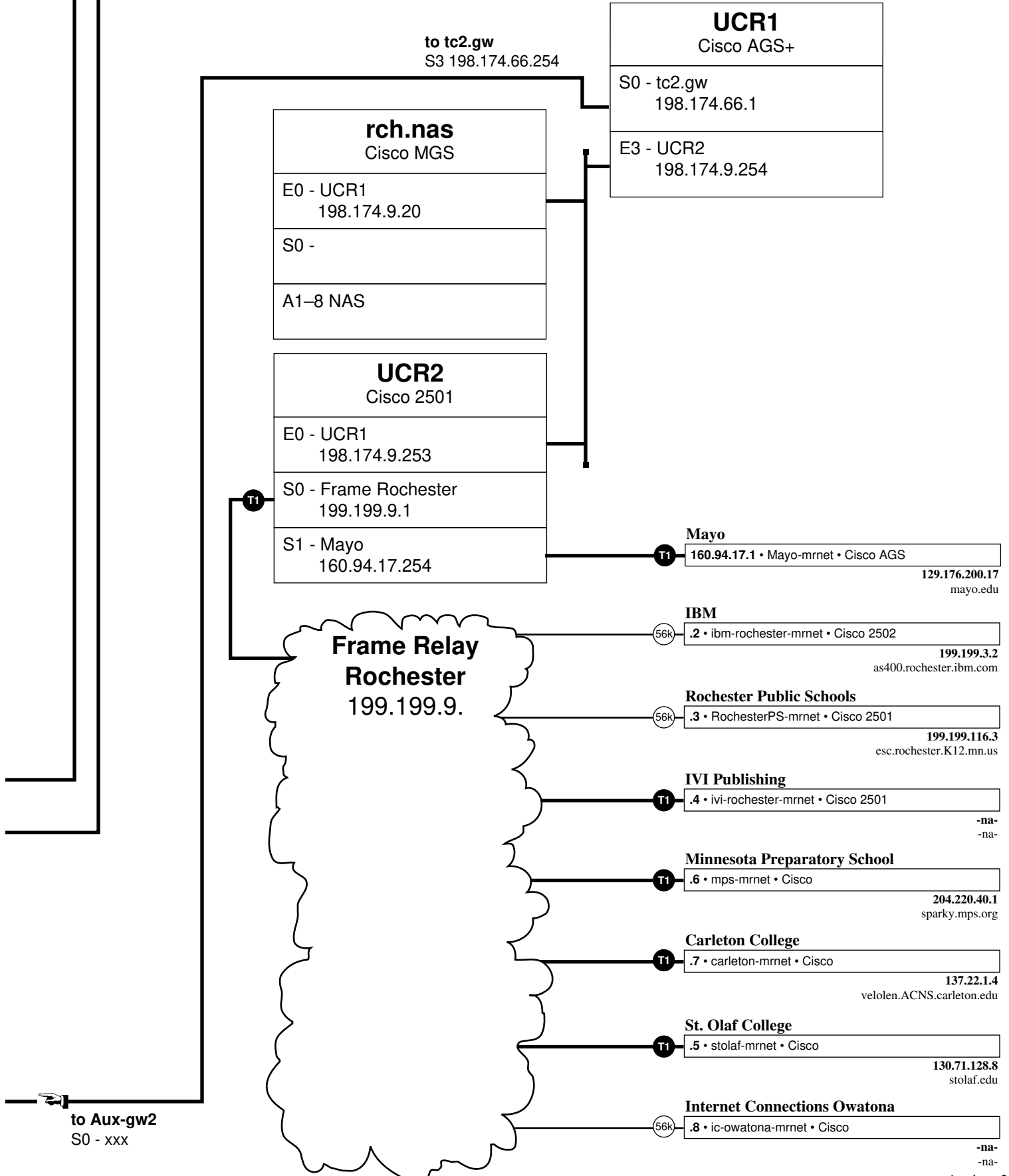
# Minnesota Regional Network Map

1995-06-13

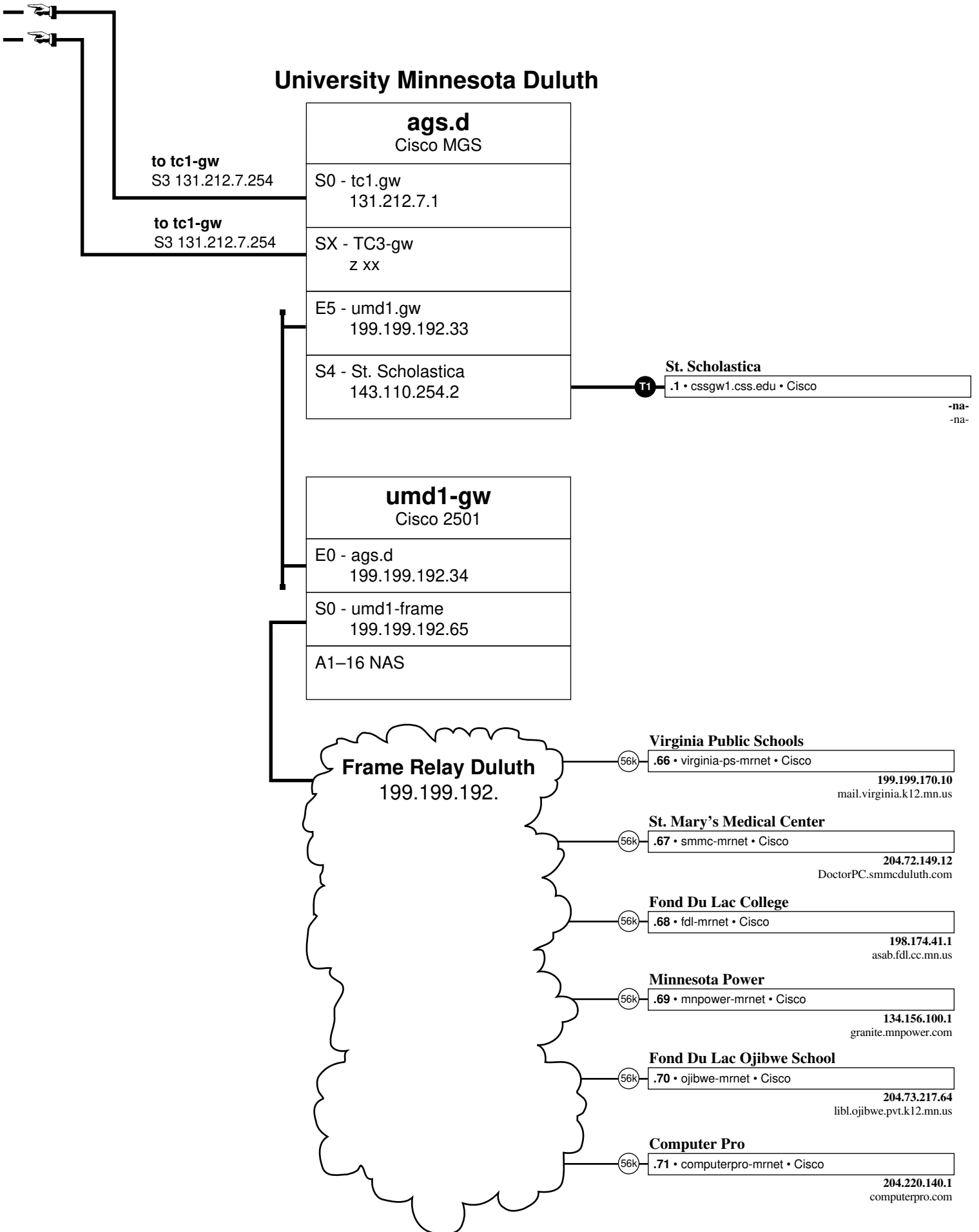


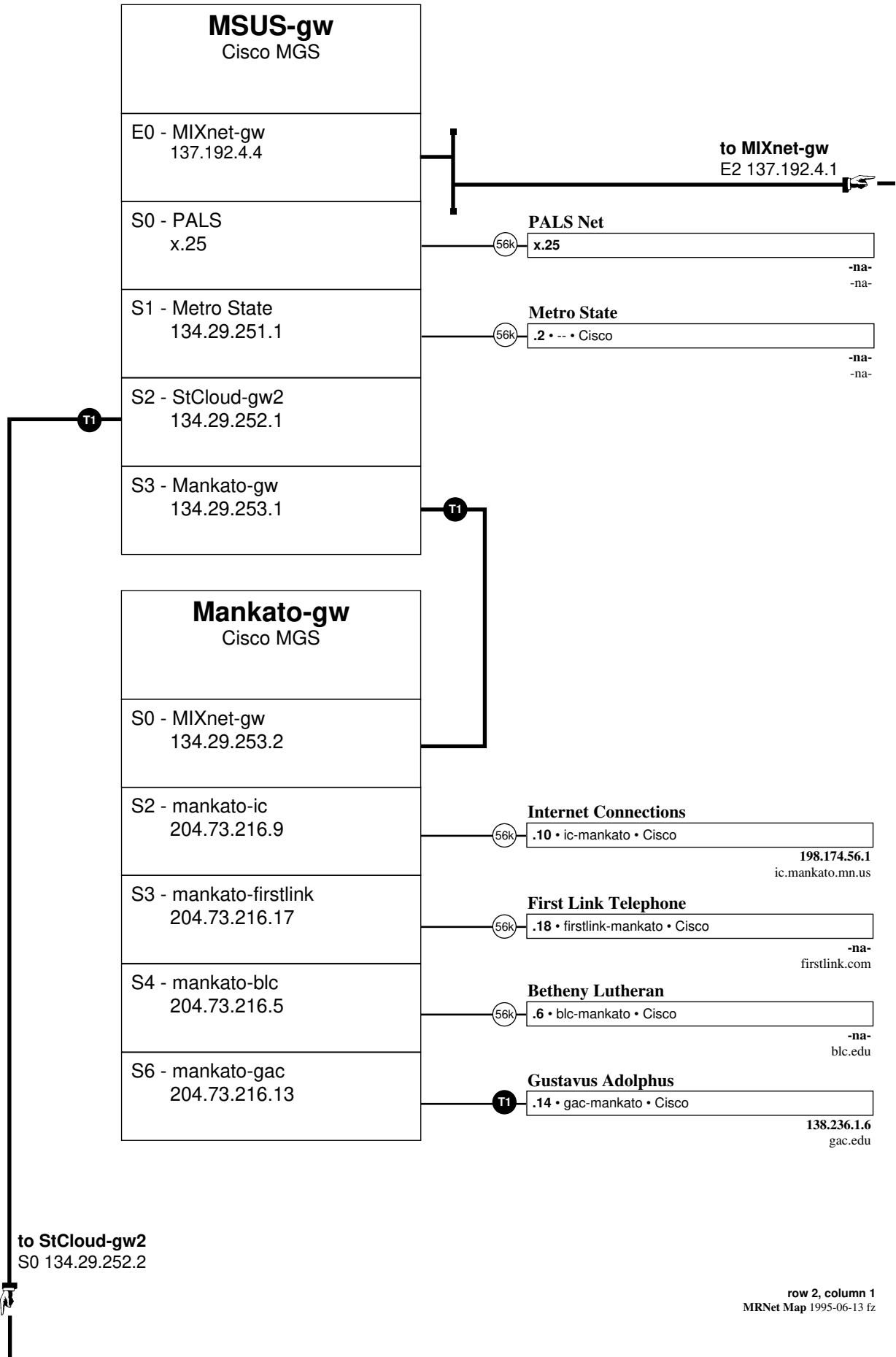


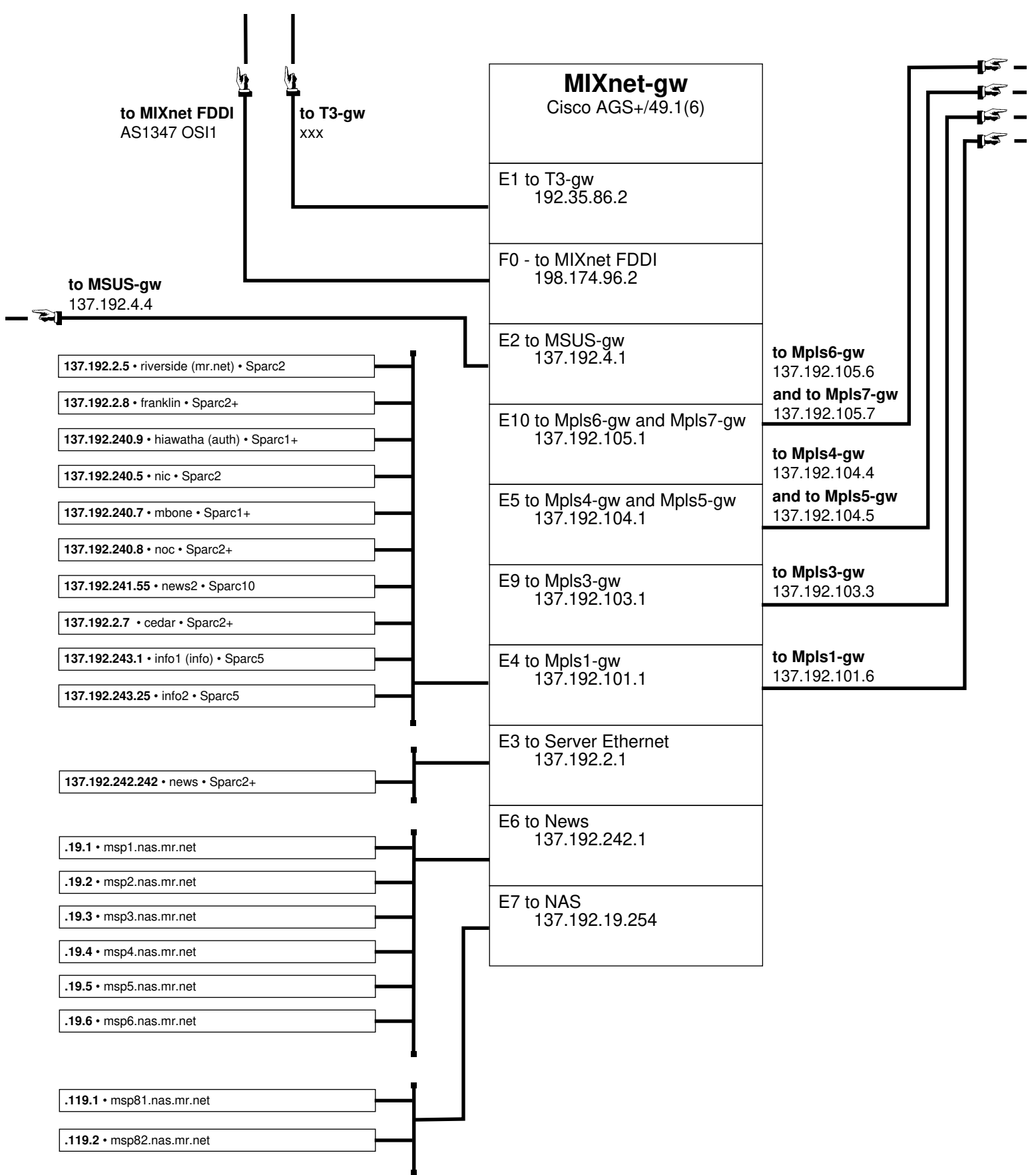
# University Center Rochester

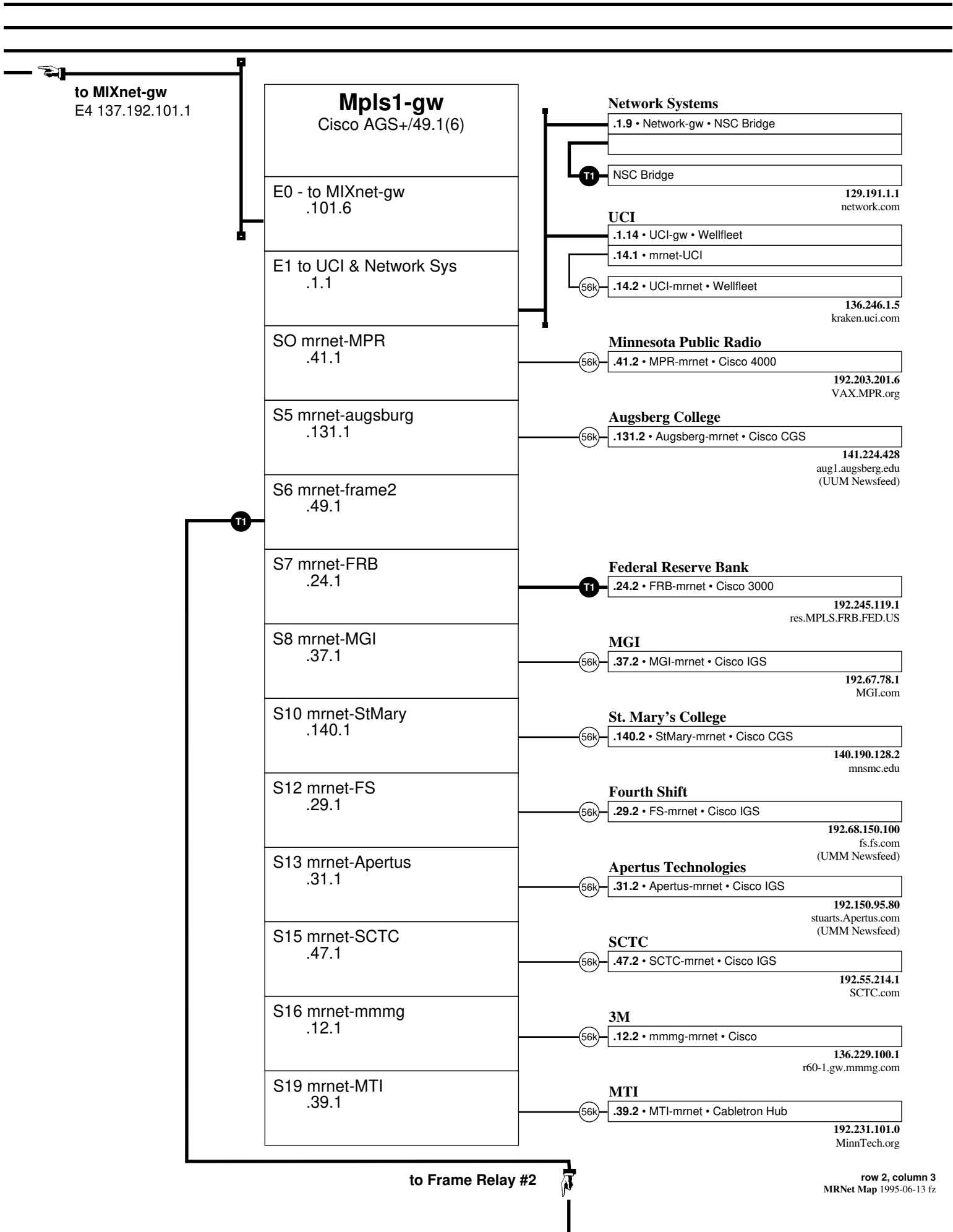


# University Minnesota Duluth









to MIXnet-gw  
E4 137.192.101.1

<b>Mpls1-gw</b> Cisco AGS+/49.1(6)	
E0 - to MIXnet-gw	.101.6
E1 to UCI & Network Sys	.1.1
SO mnet-MPR	.41.1
S5 mnet-augsburg	.131.1
S6 mnet-frame2	.49.1
S7 mnet-FRB	.24.1
S8 mnet-MGI	.37.1
S10 mnet-StMary	.140.1
S12 mnet-FS	.29.1
S13 mnet-Apertus	.31.1
S15 mnet-SCTC	.47.1
S16 mnet-mmmg	.12.1
S19 mnet-MTI	.39.1

**Network Systems**

.1.9 • Network-gw • NSC Bridge	
NSC Bridge	129.191.1.1 network.com

**UCI**

.1.14 • UCI-gw • Wellfleet	
.14.1 • mnet-UCI	
.14.2 • UCI-mnet • Wellfleet	136.246.1.5 kraken.uci.com

**Minnesota Public Radio**

.41.2 • MPR-mnet • Cisco 4000	192.203.201.6 VAX.MPR.org
-------------------------------	------------------------------

**Augsburg College**

.131.2 • Augsburg-mnet • Cisco CGS	141.224.428 aug1.augsburg.edu (UUM Newsfeed)
------------------------------------	--

**Federal Reserve Bank**

.24.2 • FRB-mnet • Cisco 3000	192.245.119.1 res.MPLS.FRB.FED.US
-------------------------------	--------------------------------------

**MGI**

.37.2 • MGI-mnet • Cisco IGS	192.67.78.1 MGI.com
------------------------------	------------------------

**St. Mary's College**

.140.2 • StMary-mnet • Cisco CGS	140.190.128.2 mnsmc.edu
----------------------------------	----------------------------

**Fourth Shift**

.29.2 • FS-mnet • Cisco IGS	192.68.150.100 fs.fs.com (UMM Newsfeed)
-----------------------------	---

**Apertus Technologies**

.31.2 • Apertus-mnet • Cisco IGS	192.150.95.80 stuart.Apertus.com (UMM Newsfeed)
----------------------------------	---

**SCTC**

.47.2 • SCTC-mnet • Cisco IGS	192.55.214.1 SCTC.com
-------------------------------	--------------------------

**3M**

.12.2 • mmmg-mnet • Cisco	136.229.100.1 r60-1.gw.mmmg.com
---------------------------	------------------------------------

**MTI**

.39.2 • MTI-mnet • Cabletron Hub	192.231.101.0 MinnTech.org
----------------------------------	-------------------------------

to Frame Relay #2

to MIXnet-gw  
E9 137.192.103.1

### Mpls3-gw (MPPC2-gw)

Cisco AGS+/49.1(6)

E0 - MIXnet-gw  
137.192.103.3

S0 - mrnet-BTC  
.10.1

S1 - mrnet-Cray  
.26.1

S2 - mrnet-Honeywell  
.25.1

S3 - mrnet-UHC  
.35.1

S4 - mrnet-MN  
.34.1

S5 - mrnet-MNDOT  
.44.1

S6 - mrnet-frame1  
.48.1

S7 - mrnet-Ramsey  
.22.1

S8 - mrnet-AmeriData  
.45.1

S9 - mrnet-Fingerhut  
.46.1

S10 - mrnet-BNR  
.21.1

#### MRNet/SSESCO

.10.2 • BTC-mrnet • Cisco MGS

E0 - 192.55.187.17 BTC-gw.ssesco.com

E1 - 137.192.240.1 BTC-gw.mr.net

#### Cray Research

.26.2 • Cray-mrnet • Cisco

128.162.19.7  
Cray.com

#### Honeywell

.25.2 • Honeywell-mrnet • Cisco

129.30.3.16  
fishery.honeywell.com

#### United Health Care

.35.2 • UHC-mrnet • Cisco

162.100.161.96  
gar.uhc.com

#### State of Minnesota

.34.2 • MN-mrnet • Cisco 3000

156.98.1.1  
NIC.STATE.MN.US  
(MRNet Newsfeed)

#### Control Data Systems

.23.2 • CDS-mrnet • Cisco

-na-  
-na-

#### Ramsey County

.22.2 • Ramsey-mrnet • Cisco MGS

192.107.111.210  
Bonnie.TCDP.gov  
(MRNet newsfeed)

#### AmeriData

.45.2 • AmeriData-mrnet • Cisco IGS

192.104.171  
AmeriData.com

#### FingerHut

.46.2 • Fingerhut-mrnet • Cisco AGS+

151.210  
Fingerhut.com

#### BNR

.21.2 • BNR-mrnet • BBN/Welffleet

139.51.128.1  
BNR.com

T1

T1

T1

T1

T1

T1

T1

T1

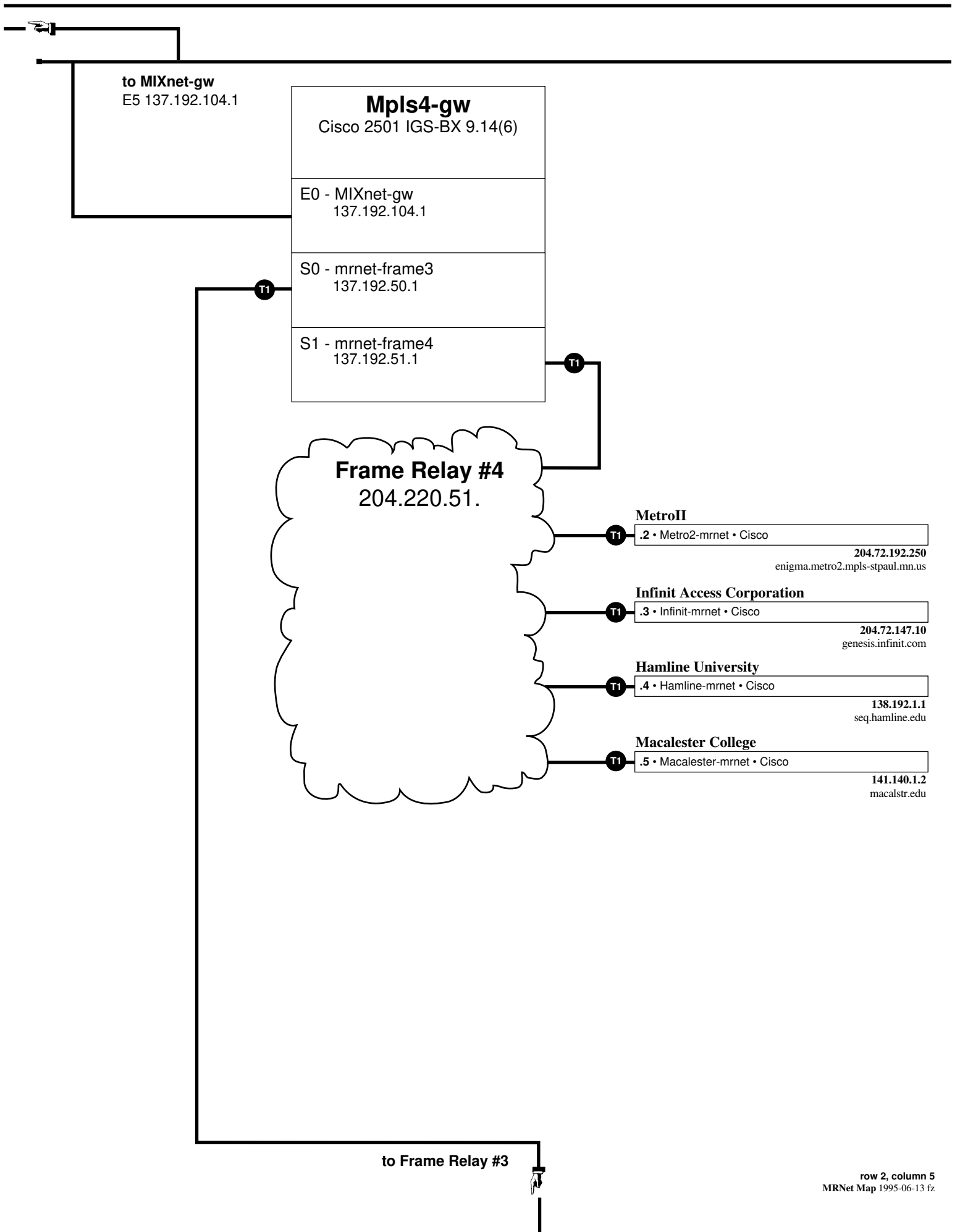
56k

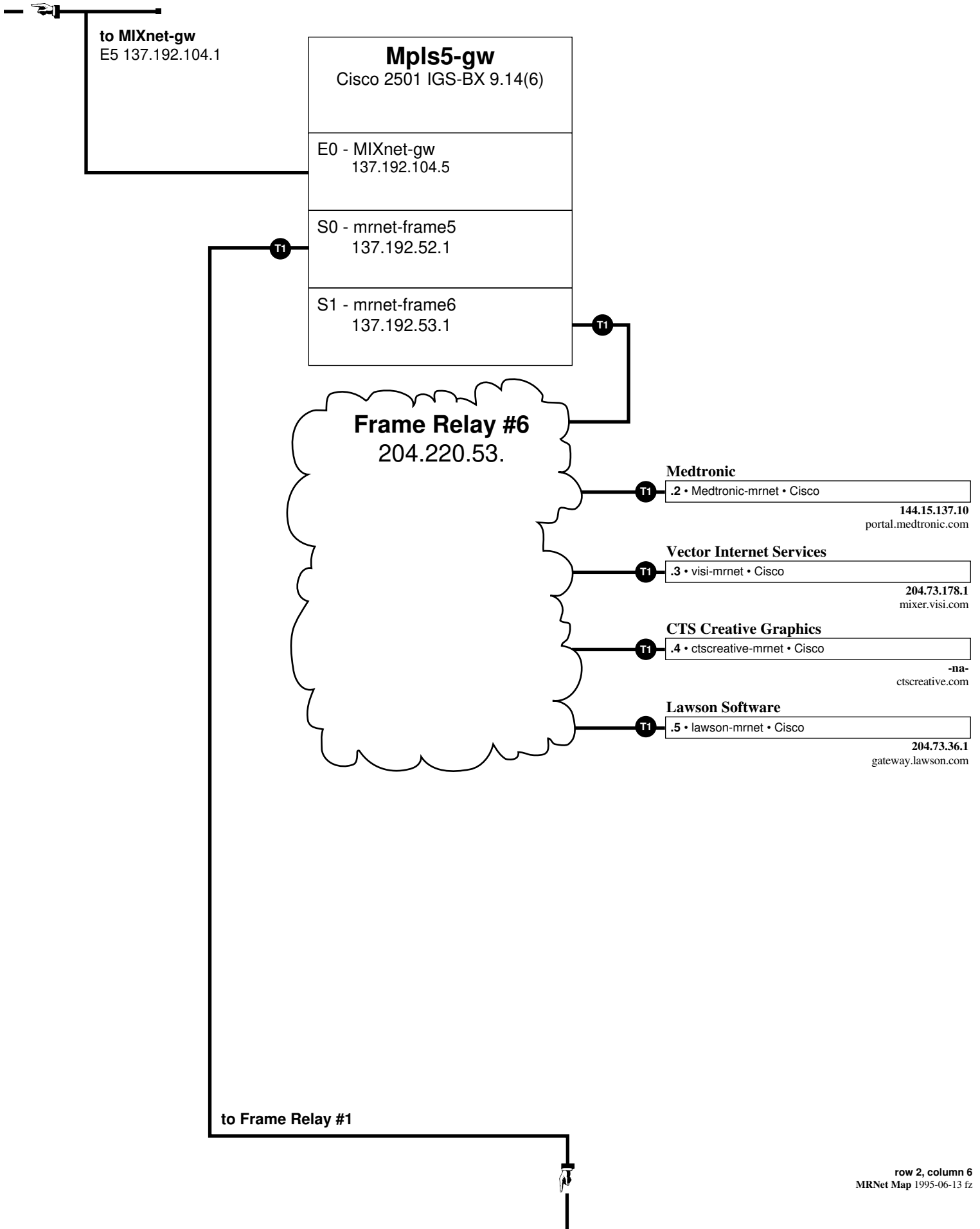
56k

56k

to Frame Relay #1







to MIXnet-gw  
E10 137.192.105.1

**Mpls6-gw**  
Cisco 2501 IGS-IF 10.0(5)

---

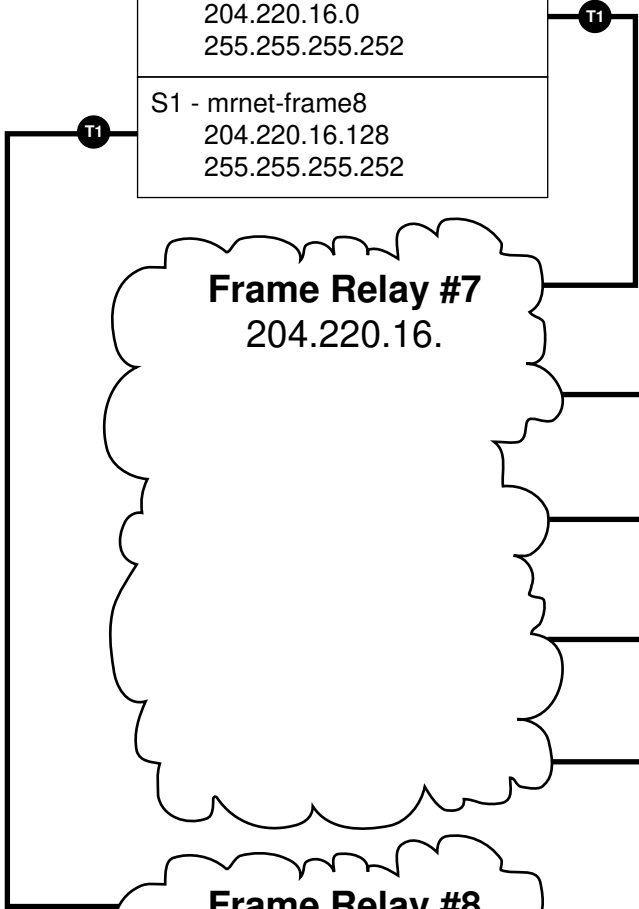
E0 - MIXnet-gw  
137.192.105.6

---

S0 - mrnet-frame7  
204.220.16.0  
255.255.255.252

---

S1 - mrnet-frame8  
204.220.16.128  
255.255.255.252



**Frame Relay #7**  
204.220.16.

**Target**  
.6 • target-mrnet • Cisco  
-na-dhc.com

**Digiboard**  
.10 • digibd-mrnet • Cisco  
199.86.0.193  
digibd.digibd.com

**Hennepin County Government Center**  
.14 • hennepinco-mrnet • Cisco  
137.70.8.11  
techsrv1.co.hennepin.mn.us

**Unysis (Paramax)**  
.18 • unisysgsg-mrnet • Cisco  
128.170.20.2  
sys3.slc.unisysgsg.com

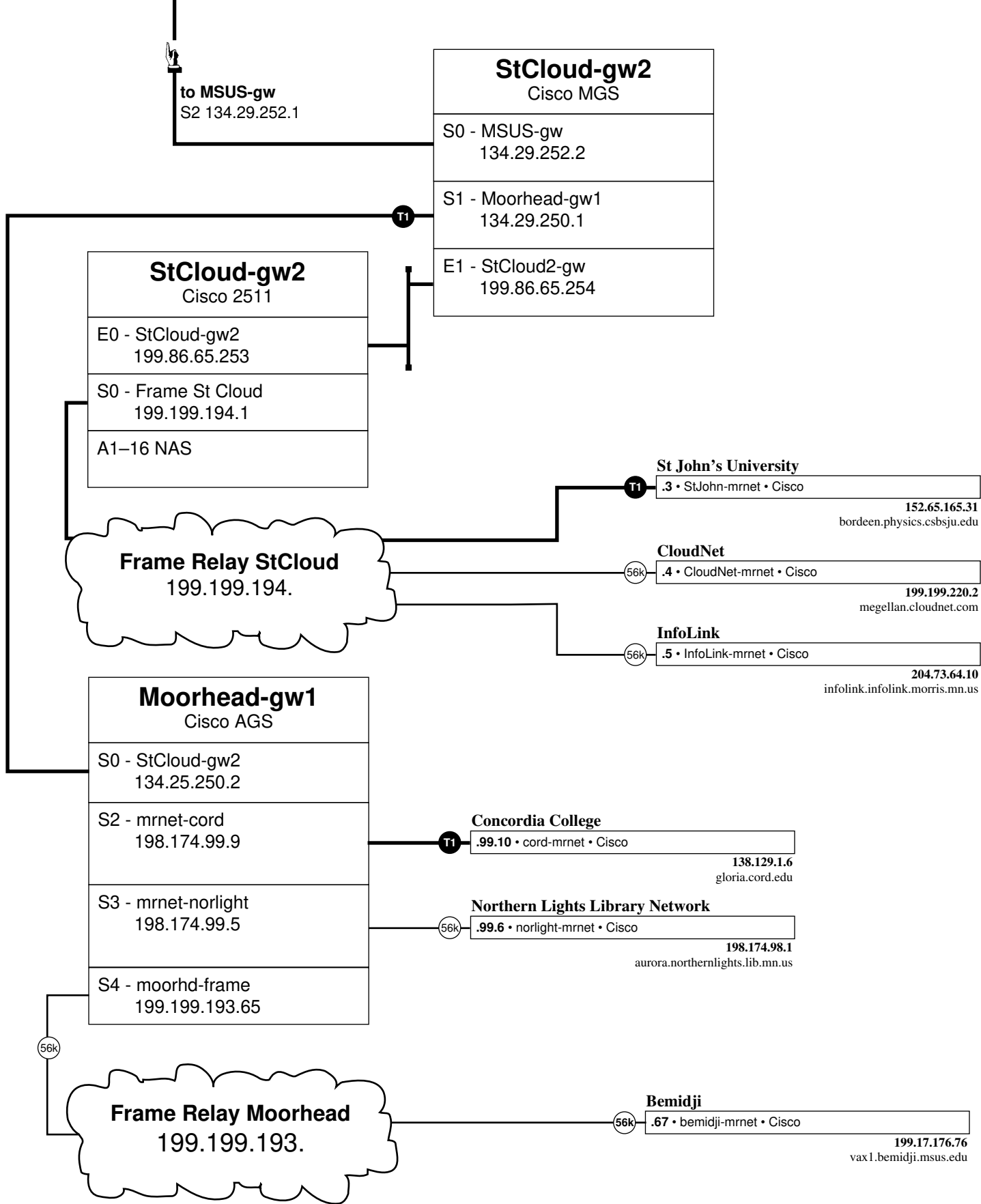
**Frame Relay #8**  
204.220.16.

**Cargill**  
.130 • cargill-mrnet • Cisco  
157.239.225.225  
charon.cargill.com

**Tricord**  
.134 • tricord-mrnet • Cisco  
199.86.68.2  
Apollo.Tricord.com

**O'Connor Company**  
.138 • oconnor-mrnet • Cisco  
204.73.51.1  
nam.ing.com

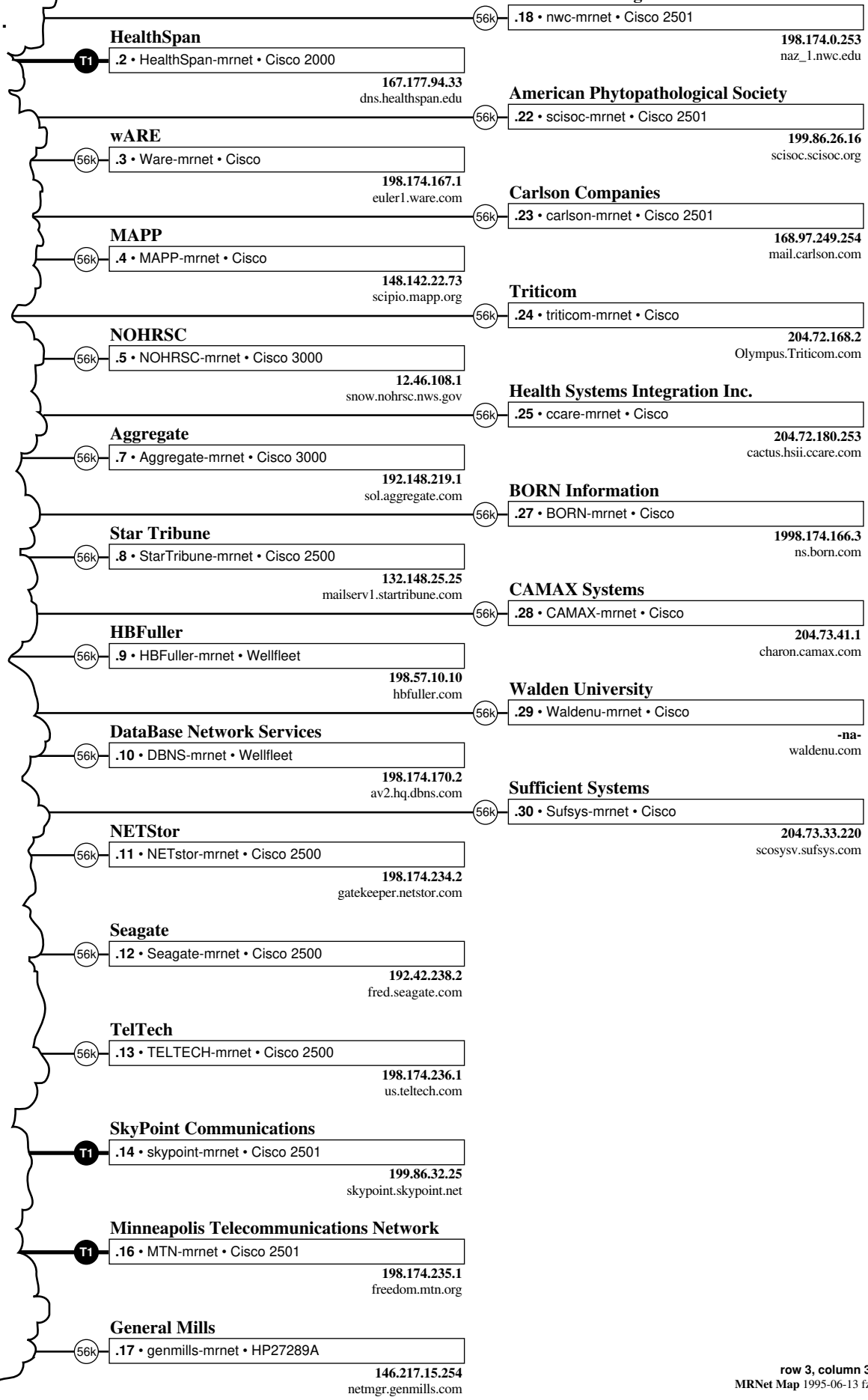
**Protocol Communications**  
.142 • protocon-mrnet • Cisco  
204.72.128.10  
cassie.protocon.com



**Frame Relay #2**  
137.192.49.

to Mpls1-gw  
S6 137.192.49.1

15 HCGS 94796 asco



**HealthSpan**

.2 • HealthSpan-mrnet • Cisco 2000

167.177.94.33  
dns.healthspan.edu

198.174.0.253  
naz\_1.nwc.edu

**wARE**

.3 • Ware-mrnet • Cisco

198.174.167.1  
euler1.ware.com

199.86.26.16  
scisoc.scisoc.org

**MAPP**

.4 • MAPP-mrnet • Cisco

148.142.22.73  
scipio.mapp.org

168.97.249.254  
mail.carlson.com

**NOHRSC**

.5 • NOHRSC-mrnet • Cisco 3000

12.46.108.1  
snow.nohrsc.nws.gov

204.72.168.2  
Olympus.Triticom.com

**Aggregate**

.7 • Aggregate-mrnet • Cisco 3000

192.148.219.1  
sol.aggregate.com

204.72.180.253  
cactus.hsii.ccare.com

**Star Tribune**

.8 • StarTribune-mrnet • Cisco 2500

132.148.25.25  
mailserv1.startribune.com

1998.174.166.3  
ns.born.com

**HBFuller**

.9 • HBFuller-mrnet • Wellfleet

198.57.10.10  
hbfuller.com

204.73.41.1  
charon.camax.com

**DataBase Network Services**

.10 • DBNS-mrnet • Wellfleet

198.174.170.2  
av2.hq.dbns.com

-na-  
waldenu.com

**NETStor**

.11 • NETstor-mrnet • Cisco 2500

198.174.234.2  
gatekeeper.netstor.org

204.73.33.220  
scosysv.sufsys.com

**Seagate**

.12 • Seagate-mrnet • Cisco 2500

192.42.238.2  
fred.seagate.com

**TelTech**

.13 • TELTECH-mrnet • Cisco 2500

198.174.236.1  
us.teltech.com

**SkyPoint Communications**

.14 • skypoint-mrnet • Cisco 2501

199.86.32.25  
skypoint.skypoint.net

**Minneapolis Telecommunications Network**

.16 • MTN-mrnet • Cisco 2501

198.174.235.1  
freedom.mtn.org

**General Mills**

.17 • genmills-mrnet • HP27289A

146.217.15.254  
netmgr.genmills.com

**Northwest College**

.18 • nwc-mrnet • Cisco 2501

**American Phytopathological Society**

.22 • scisoc-mrnet • Cisco 2501

**Carlson Companies**

.23 • carlson-mrnet • Cisco 2501

**Triticom**

.24 • triticom-mrnet • Cisco

**Health Systems Integration Inc.**

.25 • ccare-mrnet • Cisco

**BORN Information**

.27 • BORN-mrnet • Cisco

**CAMAX Systems**

.28 • CAMAX-mrnet • Cisco

**Walden University**

.29 • Waldenu-mrnet • Cisco

**Sufficient Systems**

.30 • Sufsys-mrnet • Cisco

**Frame Relay #1**  
137.192.48.

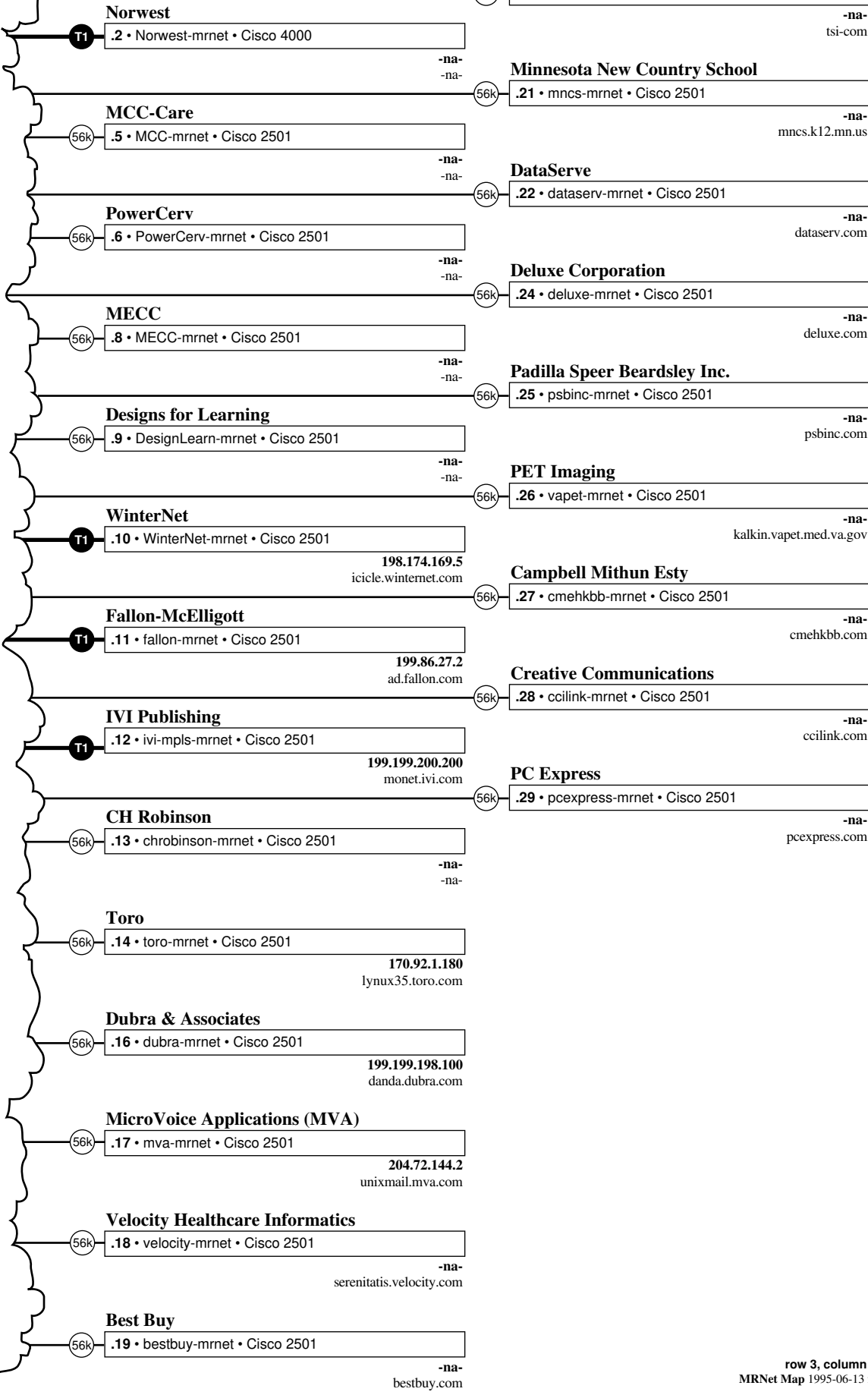
to Mpls3-gw

S6 137.192.48.1 15 HCGS 95323 asco

56k	<b>NetStar</b> .16 • NetStar-mrnet • Cisco IGS 198.174.11.2 NetStar.com	T1	<b>Methodist Hospital</b> .32 • methh-mrnet • Cisco AGS+ 198.22.110.2 tandem1.methh.com
56k	<b>Computer Network Technology</b> .17 • CNT-mrnet • Cisco IGS 139.93.128.1 CNT.com	T1	<b>TIES</b> .33 • TIES-mrnet • Cisco IGS 198.22.19.2 TIES.k12.mn.us
56k	<b>3M</b> .7 • mmm-mrnet • Cisco 130.99.3.1 pigseye.mmm.com	56k	<b>US Link Long Distance</b> .34 • USLink-mrnet • Cisco 199.199.168.2 link.uslink.net
56k	<b>Connect Computer</b> .19 • ConnComp-mrnet • Cisco MGS 198.174.8.74 ccsun.ConComp.com	56k	<b>Bitstream Underground</b> .36 • BitStream-mrnet • Cisco -na- -na-
56k	<b>Northwest Airlines</b> .20 • NWA-mrnet • Cisco IGS 139.72.131.117 NWA.com	56k	<b>Wavefront</b> .37 • WaveFront-mrnet • Cisco 204.73.244.1 wavefront.wavefront.com
56k	<b>William Mitchell</b> .21 • WMitchell-mrnet • Cisco 3000 198.174.12.245 william.wmitchell.edu	56k	<b>LSC Inc.</b> .38 • LSCI-mrnet • Cisco 198.174.196.17 raistlin.lsci.com
56k	<b>Commodity Specialists</b> .22 • CommoditySpec-mrnet • Cisco IGS 198.174.10.15 becks.commodityspec.com	56k	<b>EarthWatch Communications</b> .39 • EarthWatch-mrnet • Cisco -na- -na-
56k	<b>Minnesota Center for Performing Arts</b> .23 • MCAE-mrnet • Cisco 2000 198.174.7.5 MCAE.K12.MN.US	56k	<b>Control Corporation</b> .40 • Control-mrnet • Cisco 204.73.219.5 rocket.control.com
56k	<b>NCR</b> .26 • NCR-mrnet • Cisco CGS 131.222.1.3 nic.stPaul.NCR.com (UUM Newsfeed)	56k	<b>SabreNet</b> .41 • Sabrenet-mrnet • Cisco -na- sabrenet.com
56k	<b>Saint Thomas</b> .27 • StThomas-mrnet • Cisco CGS 140.209.16.1 StThomas.edu	56k	<b>EFJohnson</b> .42 • EFJohnson-mrnet • Cisco -na- efjohnson.com
56k	<b>Saint Katherine</b> .28 • StKate-mrnet • Cisco CGS 140.225.1.3 alex.StKate.edu	56k	<b>Boffin Company</b> .43 • Boffin-mrnet • Cisco -na- boffin.com
56k	<b>Bethel College</b> .29 • Bethel-mrnet • Cisco CGS 140.88.128.1 Bethel.edu	56k	<b>First Link Telephone</b> .44 • FirstLink-mrnet • Cisco 199.199.195.4 mac1.lakes.com
48K CIR	<b>Health Partners</b> .30 • HealthPartners-mrnet • Cisco 7000 198.174.101.2 HealthPartners.com	T1	<b>The Link</b> .45 • theLink-mrnet • Cisco -na- thelink.com
56k	<b>Decision Systems / Exchange Data</b> .31 • decsys-mrnet • Cisco 4000 198.174.64.1 decisionsys.com	56k	<b>Iconovex</b> .46 • Iconovex-mrnet • Cisco -na- iconovex.com

**Frame Relay #3**  
137.192.50.

to Mpls4-gw  
S0 137.192.50.1 15 HCGS 94979 asco



**Frame Relay #5**  
137.192.52.

to Mpls5-gw

S1 137.192.52.1

15 HCGS 96210 asco

**Culture Shock**

T1 .2 • cultureshock-mrnet • Cisco

204.73.43.10

revolution.cultureshock.com

**Computing Devices**

T1 .3 • cdev-mrnet • Cisco

160.207.2.1

caracara.cdev.com

**Minneapolis College of Art and Design**

T1 .4 • mcad-mrnet • Cisco

150.253.50.1

kitchen.mcad.edu

**EarthLife Products**

56k .5 • EarthLife-mrnet • Cisco

204.73.69.2

earthlife.earthlife.com

**Guidant**

56k .7 • Guidant-mrnet • Cisco

132.189.1.2

guide1.guidant.com

**Luther Seminary**

56k .8 • LutherSem-mrnet • Cisco

199.199.164.254

katie.luthersem.edu

**Jostens**

56k .9 • Jostens-mrnet • Cisco

-na-

jostens.com

**Empros**

56k .10 • empros-mrnet • Cisco

161.134.1.2

ems.empros.com

**Kavouras**

56k .11 • kavouras-mrnet • Cisco

204.73.218.1

mail.kavouras.com

**Concordia College of St. Paul**

56k .12 • csp-mrnet • Cisco

192.231.156.2

luther.csp.edu

**OnTrack Computer Systems**

56k .6 • OnTrack-mrnet • Cisco

204.37.176.3

flint.ontrack.com



