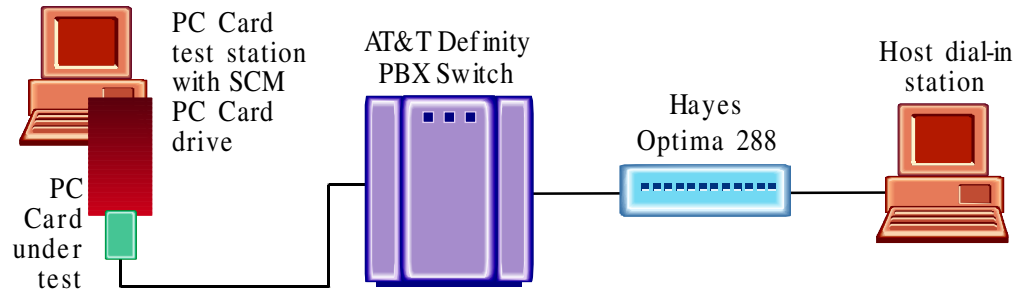
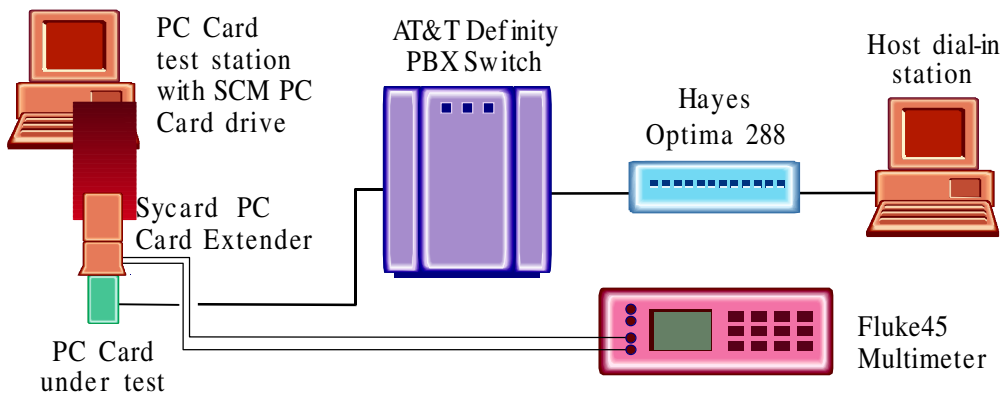


PC WEEK LABS PC CARD MODEM TEST BEDS

PHASE 1: Performance



PHASE 2: Power Management



PHASE 3: Interoperability

