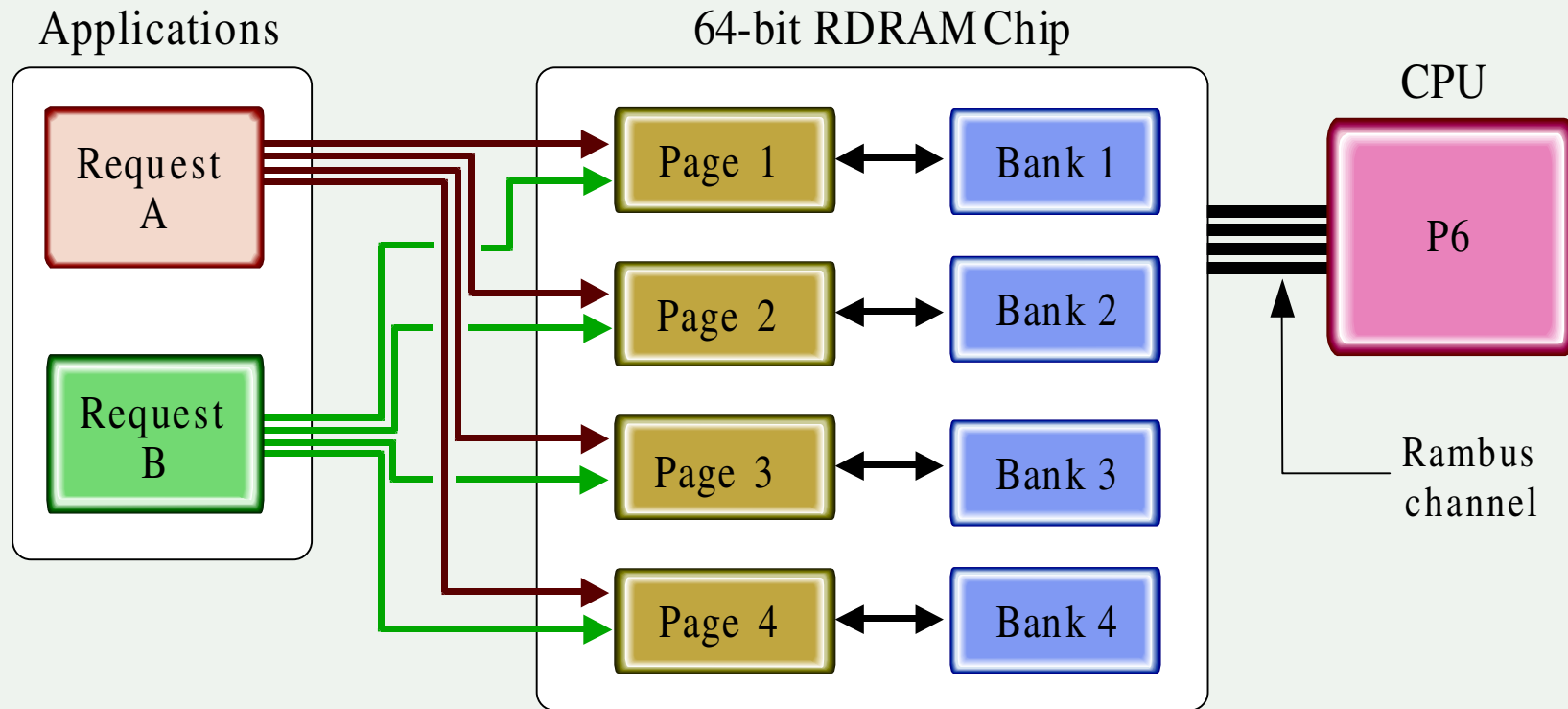


RAMBUS 64-BIT RDRAM CAN WALK AND CHEW GUM



Via its high-speed multiple-bank architecture, the chip can handle up to four outstanding memory instructions at once, which enable users to perform more than one operation at a time.