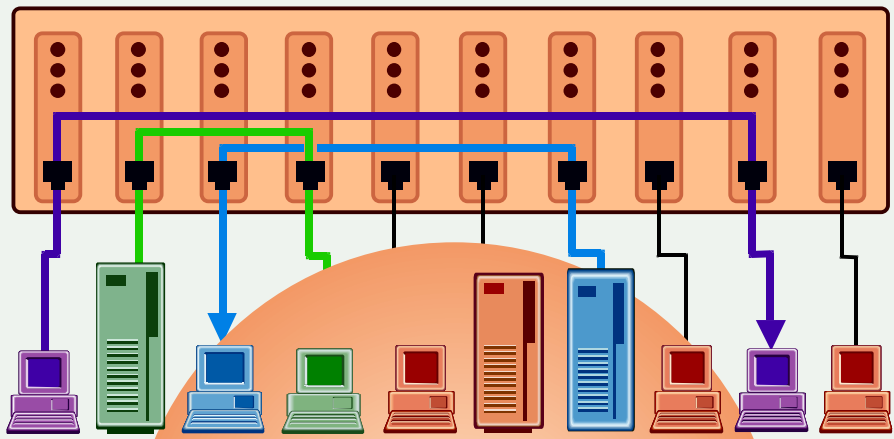


GETTING A PACKET FROM HERE TO THERE

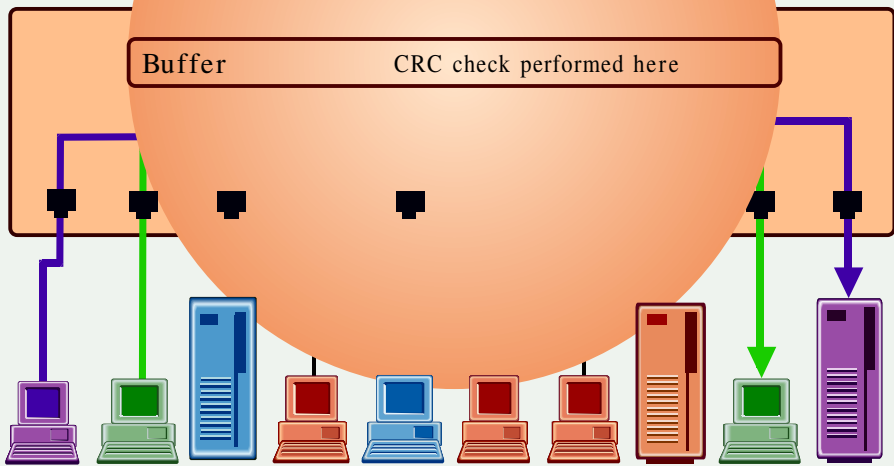
Cut-through switch



With the cut-through switching scheme, the packet is transferred to the receiving port as soon as the address can be determined.

clients and servers

Store and forward



With store-and-forward technology, the entire packet is received, checked for errors, then forwarded to the destination address.

clients and servers