

Communication Manual for DRX Signal Conditioner Series



**DRX-ACC, DRX-ACV, DRX-FP,
DRX-PR, DRX-RTD, DRX-ST, DRX-TC**

NEWPORT Electronics, Inc.

Additional products from
NEWPORT Electronics, Inc.

Counters	Rate Meters
Frequency Meters	Timers
PID Controllers	Totalizers
Clock/Timers	Strain Gauge Meters
Printers	Voltmeters
Process Meters	Multimeters
On/Off Controllers	Soldering Iron Testers
Recorders	pH pens
Relative Humidity	pH Controllers
Transmitters	pH Electrodes
Thermocouples	RTDs
Thermistors	Thermowells
Wire	Flow Sensors

For Immediate Assistance
In the U.S.A. and Canada: 1-800-NEWPORTSM
In Mexico: (95) 800-NEWPORTSM
Or call your local NEWPORT Office.

NEWPORTnetSM On-Line Service
<http://www.newportinc.com>

Internet e-mail
info@newportinc.com

It is the policy of NEWPORT to comply with all worldwide safety and EMC/EMI regulations that apply. NEWPORT is constantly pursuing certification of its products to the European New Approach Directives. NEWPORT will add the CE mark to every appropriate device upon certification.

The information contained in this document is believed to be correct but NEWPORT Electronics, Inc. accepts no liability for any errors it contains, and reserves the right to alter specifications without notice.

WARNING: These products are not designed for use in, and should not be used for, patient connected applications.



This device is marked with the international hazard symbol. It is important to read the Setup Guide before installing or commissioning this device as it contains important information relating to safety and EMC.

TABLE OF CONTENTS

I.	<u>WHAT SIGNAL CONDITIONERS DO:</u>	1
II.	<u>MODEL OF UNIT :</u>	1
III.	<u>RS485 SERIAL COMMUNICATION SETUP:</u>	1
	<u>SAFETY CONSIDERATIONS:</u>	4
IV.	<u>COMMANDS FOR ACCESSING EEPROM:</u>	6
V.	<u>DESCRIPTION OF DATA :</u>	7
VI.	<u>COMMANDS FOR MEASUREMENT VALUES:</u>	16
VII.	<u>COMMANDS FOR READING MODEL/INPUT TYPE:</u>	16
VIII.	<u>RESET COMMANDS:</u>	17
IX.	<u>SAMPLE PROGRAM:</u>	17

SPECIFICATIONS

<u>DRX-ACC</u>	19
<u>DRX-ACV</u>	20
<u>DRX-FP</u>	21
<u>DRX-PR</u>	22
<u>DRX-RTD</u>	23
<u>DRX-ST</u>	24
<u>DRX-TC</u>	25

ILLUSTRATIONS:

<u>Dimensions</u>	26
<u>Typical Computer Setup</u>	26

I. WHAT SIGNAL CONDITIONERS DO:

The DRX Series Signal Conditioners are high performance devices used as a front end for PLC's and Data Acquisition systems to measure a variety of low level transducer signals with high precision and accuracy. The DRX Series Signal Conditioners interface directly to transducers and digitize the input signal. The measured signal is then transmitted to a PLC or a computer using the RS485 Serial Communication. **Up to 32 units may be connected to the same serial RS485 bus**, and each unit may be addressed to transmit the signal being measured under program control, executed on a PLC or a computer. The key features of the DRX Series Signal Conditioners are the ease of set-up and factory calibrated ranges. All range switching are done electronically by sending the appropriate command; therefore, there is no need to remove or open the units when signal input levels are changed. All set-up may be done by using the Set-up Software running on a computer or by user supplied programs.

II. MODEL OF UNIT :

There are 7 models available:

THERMOCOUPLE	(DRX-TC)
RTD	(DRX-RTD)
STRAIN	(DRX-ST)
PROCESS	(DRX-PR)
FREQUENCY/PULSE	(DRX-FP)
AC VOLT	(DRX-ACV)
AC CURRENT	(DRX-ACC)

III. RS485 SERIAL COMMUNICATION SETUP:

Communication with the UNIT will be performed via serial communication using RS485 standard (half duplex). To use the RS485 communication for the Signal Conditioners you'll need an available Communication port in your computer and have access to a generic communication software program (e.g.: Procomm¹, Windows² HyperTerminal³, etc, see details below for information). A RS485 signal conditioner communication software program is also available as an option to speed the set-up. A RS232 to RS485 converter box will also be required if your computer communications port is RS232.

¹ Procomm is a registered trademark of Datastorm Technologies, Inc.

² Windows is a registered trademark of Microsoft Corp.

³ HyperTerminal is a registered trademark of Microsoft Corp.

For Procomm:

Start the Procomm Program.

Press ALT + P (Select the appropriate communication parameters: Baud Rate, Parity, Data Bits, Stop Bits.) The default settings may require modifications.

- Factory Default communication settings are as follows:

Baud Rate = 9600

Parity = Odd

Data Bits = 7

Stop Bits = 1

Press ALT + S (To save current communication settings)

Press ALT + O (To go to chat mode)

If the communication port selected is available and the communication parameters of both the computer and the DRX are matched, then a serial link may be established. To check the communication any of the commands may be tried i.e. *01X01 would return the current measured signal value.

For Hyper Terminal (Windows 95):

Start the Hyper Terminal Program from programs/accessories.

Click on the Properties from the File menu.

Under the Phone Number Menu choose:

Connect using "Direct to COM1 Or COM2" whichever that's available.

Click on Configure Button.

Choose: Baud rate, Data bits, Parity and Stop bits

According to DRX's settings.

Flow Control = None.

Click "OK" Button.

- Factory Default communication settings are as follows:

Baud Rate = 9600

Parity = Odd

Data Bits = 7

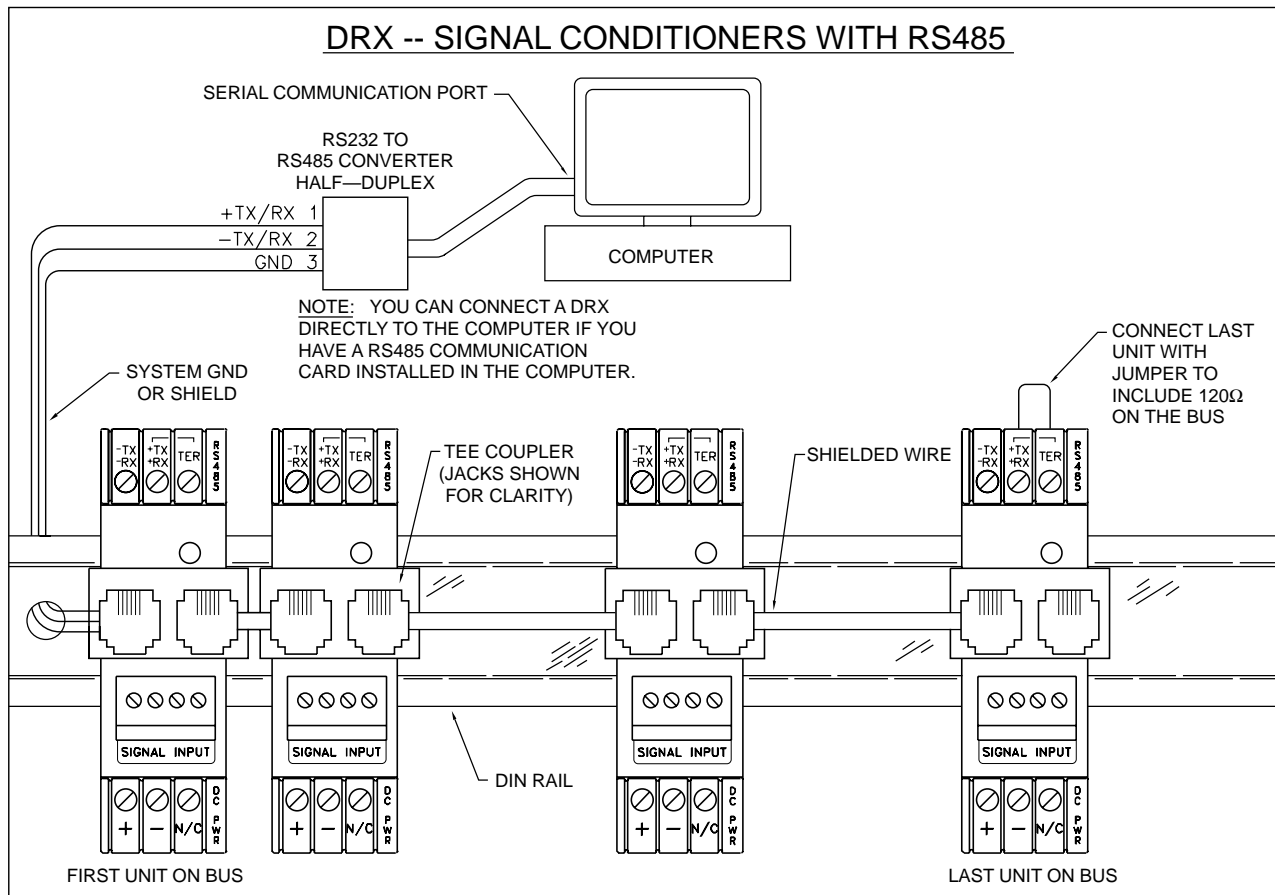
Stop Bits = 1

Under Settings Menu:

Click ASCII Setup Button.

Choose all options except "Force Incoming Data to 7 Bits ASCII".

Click "OK" Button.



Communication Parameter Settings:

Communication settings information are very critical during set-up, if any of the parameters are changed, it should be recorded on the label for future reference. If the communication parameters used by the computer does not match the communication parameter of the DRX, then the communication link may not be established. Hence it is important to record the communication parameter on the label if different from default.

Resetting Communication Parameters to Factory Defaults

To restore the communication parameters to the factory default settings, two test points must be shorted together. There are two ways of shorting these test points together, both are detailed below.

Version A-- Test point TP6 must be shorted, by a wire, to test point TP17.

or

Version B-- Newer units have a jumper position S1-A for connecting these two test points together.

Factory Default Settings for Communication:

Baud Rate = 9600

Data Bit = 7

Parity = Odd

Stop Bits = 2

Recognition Character = *

Address = 01

SAFETY CONSIDERATIONS



This device is marked with the international Caution symbol. It is important to read this manual before installing or commissioning this device as it contains important information relating to Safety and EMC (Electromagnetic Compatibility).

Unpacking & Inspection



Unpack the instrument and inspect for obvious shipping damage. Do not attempt to operate the unit if damage is found.

This instrument is a panel mount device protected in accordance with Class I of EN 61010 (115/230 AC power connections). Installation of this instrument should be done by Qualified personnel. In order to ensure safe operation, the following instructions should be followed.

This instrument has no power-on switch. An external switch or circuit-breaker shall be included in the building installation as a disconnecting device. It shall be marked to indicate this function, and it shall be in close proximity to the equipment within easy reach of the operator. The switch or circuit-breaker shall not interrupt the Protective Conductor (Earth wire), and it shall meet the relevant requirements of IEC 947-1 and IEC 947-3 (International Electrotechnical Commission). The switch shall not be incorporated in the mains supply cord.

Furthermore, to provide protection against excessive energy being drawn from the mains supply in case of a fault in the equipment, an overcurrent protection device shall be installed.



- The **Protective Conductor** must be connected for safety reasons. Check that the power cable has the proper Earth wire, and it is properly connected. It is not safe to operate this unit without the Protective Conductor Terminal connected.



- Do not exceed voltage rating on the label located on the top of the instrument housing.
- Always disconnect power before changing signal and power connections.
- Do not use this instrument on a work bench without its case for safety reasons.
- Do not operate this instrument in flammable or explosive atmospheres.
- Do not expose this instrument to rain or moisture.

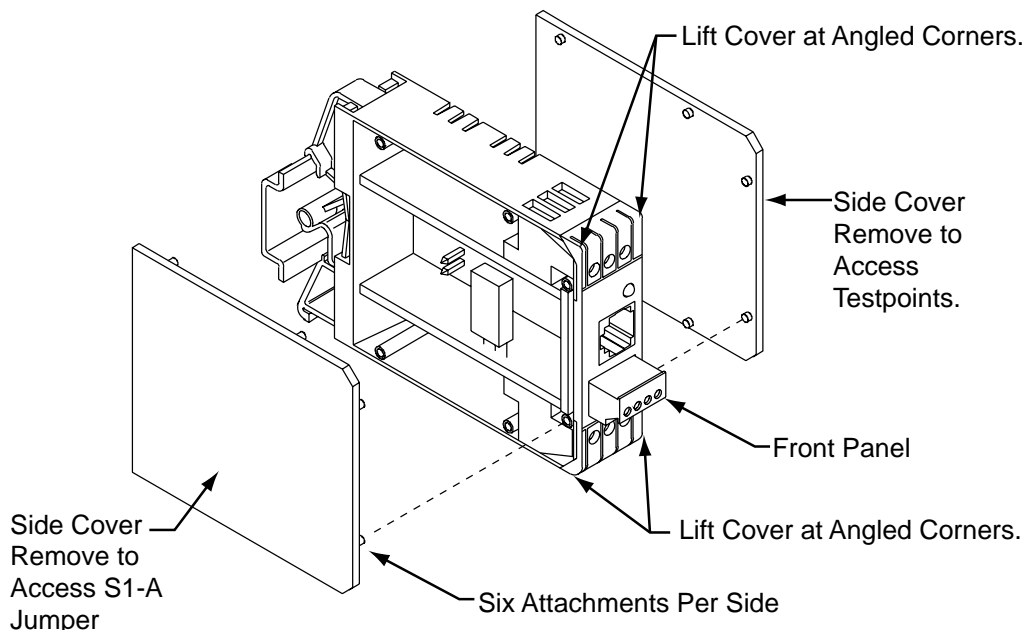
EMC Considerations

- Whenever EMC is an issue, always use shielded cables.
- Never run signal and power wires in the same conduit.
- Use signal wire connections with twisted-pair cables.
- Install Ferrite Bead(s) on signal wires close to the instrument if EMC problems persist.

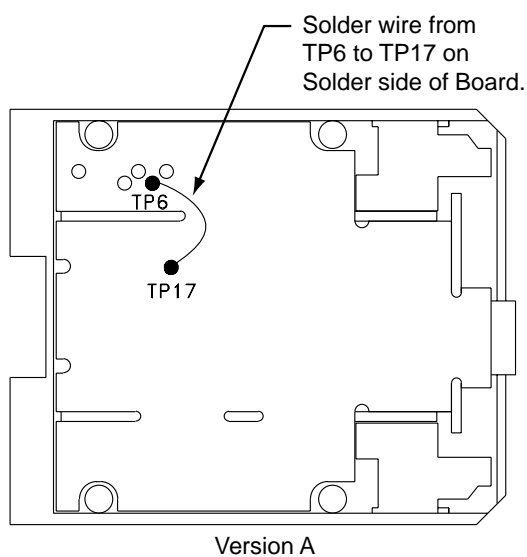
SAFETY NOTE: Disconnect all signal input and outputs before attempting this procedure.

Instructions

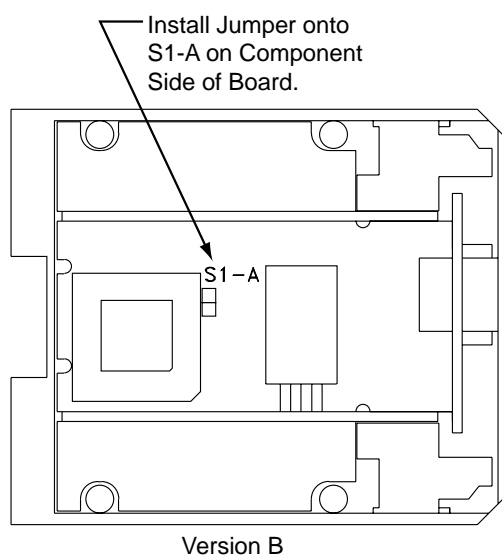
- 1) Open the Signal Conditioner Unit—Remove Side Covers from Unit by lifting at the “angled corners” first, using a flat-head screwdriver. Continue detaching remaining edges of the Cover.
- 2) Short TP6 & TP17 together, either by wire or, if available, jumper S1-A.
- 3) After shorting TP6 to TP17, apply power to the unit.
- 4) The Front Panel Power Indicator (LED) will NOT turn on.
- 5) After power has been applied to the unit for about 30 seconds, turn power off.
- 6) The communication parameters now have been restored to the default settings.
- 7) Use the DRX Set-up Program to establish communication with the meter.
- 8) This procedure will not affect calibration. It only resets the communication parameters.



Opening Unit



Version A



Version B

Testpoint/Jumper Locations

IV. COMMANDS FOR ACCESSING EEPROM:

<u>NO.</u>	<u>command letter</u>	<u>index</u>	<u>meaning</u>	<u># of bytes</u>
1.	R,W	01	Input range or function	1
2.	R,W	02	Input/output Configuration	1
3.	R,W	03	Decimal point	1
4.	R,W	04	Filter time constant	1
5.	R,W	05	Reading scale	3
6.	R,W	06	Reading offset	3
7.	R,W	07	Communication parameters	1
8.	R,W	08	Communication bus format	1
9.	R,W	09	Communication Data format	1
10.	R,W	0A	Communication device address	1
11.	R,W	0B	Communication recog. char.	1
12.	R,W	0C	Unit of measure	3
13.	R,W	0D	Gate time	1
14.	R,W	0E	Debounce time	1
15.	R,W	0F	Transmit time	2

NOTE:

1. **Data** (Number of hex digits) = 2 * number of bytes
2. command letter meaning
R Read from EEPROM
W Write to EEPROM
3. "W" commands should be followed by "Z01" command for new values to take effect.

A. COMMAND FORMAT (TRANSMITTING):

*[nn]Cxx[data][hh]<cr>

Note: Data is required if Command Letter is "W"

B. RESPONSE FORMAT (RECEIVING):

A. Correct response :

1. If unit is in echo mode* (see "BUS FORMAT") :
[nn]Cxx[data][hh]<cr>

*echo mode = unit will send back the command.

2. If unit is not in echo mode :

- i. For the commands which require the data to be transmitted by the DRX Signal Conditioner, data is sent in the following formats:

data[hh]<cr>

- ii. For the commands which do not require the data:

NO RESPONSE

B. Error response:

1. If unit is in echo mode:

[nn]?ee<cr>

2. If unit is not in echo mode:

?ee<cr>

NOTE :

- [] : Means will be used wherever applicable.
- * : Is the security recognition character(default is "").
- nn : Is the unit's address in hexadecimal(default is 01).
Address may be from 01 to FF.
- C : Is the command letter (must be capital).
- W : For writing to the EEPROM (requires **data**)
- R : For reading from the EEPROM (doesn't require **data**)
- xx : Command index is a hexadecimal number from 01 to FF.
- data** : Is one, two, or three bytes (2,4,6 characters respectively). It will be in hexadecimal except when command "X" is executed in which it is in decimal.
- hh** : Is checksum characters
(Required if **Checksum option** is on. See "**BUS FORMAT**").

- ?ee : Special code indicating an error has occurred as:
- ?43 : Command error
(occurs if command letters and indexes are invalid)
- ?46 : Format error
(occurs if length of the data or number of characters is not correct)
- ?48 : Checksum error
(occurs if checksum is not correct)
- ?50 : Parity error
(occurs if parity is not correct)
- <cr> : Carriage return

Note: If Baud rate, Recognition character or address are not correct then the UNIT will not respond.

V. DESCRIPTION OF DATA :

For the following **Bit Pattern**. The **LSB** is always **bit 0. Bit numbers are always counted from right to left, with the rightmost digit being bit 0, and the next to the left would be bit 1.**

1. INPUT RANGE:

This is one byte data (2 characters). This byte will specify input range and other input configurations of each model. Bit pattern for different model :

a. INPUT RANGE BYTE VALUE	TC	ACV	ACC
Bits:3210			
0000	J	400 mV ac	10 mA
0001	K	4 V ac	100 mA
0010	T	40 V ac	1 A
0011	E	400 V ac	5 A
0100	N	----	----
0101	DIN J	----	----
0110	R	----	----
0111	S	----	----
1000	B	----	----
(1001-1111 not used)			

Bit 6-4: not used

Bit 7: 0 Line frequency = 60Hz
 1 Line frequency = 50Hz

b. INPUT RANGE BIT NO. VALUE		RTD
Bits:		
1-0	00	100 ohms
	01	500 ohms
	10	1000 ohms
	11	not used
2	0	PLATINUM
	1	NICKEL
3	0	DIN STANDARD
	1	NIST FOR Pt(SAMA FOR Ni)
5-4	00	2 wire
	01	3 wire
	10	4 wire
	11	not used
6		not used
7	0	Line frequency = 60Hz
	1	Line frequency = 50Hz

c. INPUT RANGE BIT NO. VALUE		PROCESS (PR)	STRAIN (ST)
3-0	0000	0-20 mA	30 mV
	0001	400 mV	100 mV
	0010	1 V	---
	0011	2 V	---
	0100	5 V	---
	0101	10 V	---
	(0110 - 1111 not used)		
4	0	14V Excit.	Internal excit.
	1	10V Excit.	External excit.
5	0	Non-ratiometric (PR,ST)	
	1	Ratiometric (PR,ST)	
6	not used		
7	0	Line frequency = 60Hz(PR,ST)	
	1	Line frequency = 50Hz(PR,ST)	

d. INPUT RANGE BIT NO. VALUE		FREQUENCY/PULSE (FP)
0	0	----
	1	Low input level
1	0	----
	1	Debounce contact
2	0	----
	1	3K pull up to 5V
3	0	----
	1	1K pull down
5-4	00	12.5V excit.
	01	5V excit.
	10	8V excit.
	11	not used
7-6		not used

2. INPUT/OUTPUT CONFIGURATION:

This is one byte data (2 characters).

Bit pattern is:

BIT NO. VALUE		MEANING			
		TC/RTD	ACV/ACC/ST	PR	FP
1-0	00	Degree C	----		----
	01	Degree F	----		Freq. mode
	10	Degree K	----	Totalizer	----
	11	Degree K	----	Totalizer	Freq. mode
2	0	Temp. compensation	----	See Note 1	----
	1	No temp compensation	----	See Note 1	Quadrature
3	0	----	----	See Note 1	----
	1	----	----	See Note 1	A-B mode
4	0	----	----	----	----
	1	----	----	----	Totalize mode
5	0	----	----	----	----
	1	----	----	Square root	----
7-6	not used set to 0				

Note 1: Bit 2&3 set the speed of process totalize. The time it would take process totalize to reach the non-totalize reading is shown in the following table:

<u>Bit 3</u>	<u>Bit 2</u>	<u>Time to reach regular reading</u>
0	0	1 minute
0	1	1 hour
1	0	1 day
1	1	30 day

3. DECIMAL POINT :

This is one byte (2 characters) as:

<u>value</u>	<u>meaning</u>
1	XXXXXX.
2	XXXXX.X
3	XXXX.XX
4	XXX.XXX
5	XX.XXXX
6	X.XXXXX

Note 1: For TC and RTD models, value must be 1 to 3 only.

4. FILTER TIME CONSTANT:

This is one byte (2 characters) as:

<u>value</u>	<u>meaning (per no. of readings)</u>
0	No filtering
1	2
2	4
3	8
4	16
5	32
6	64
7	128

5. READING SCALE:

Multiplication factor, apply to input to get a higher or lower reading.

This is 3 byte data (6 characters) as:

- Bits 0 to 18 (19 bits) are value of the scale from 0 to 500000
- Bit 19 is sign, 0 for positive and 1 for negative
- Bits 20 to 23 are for decimal point value = DP

It means as:

Actual decimal value = $10^{(1 - DP)}$

where ** means "TO THE POWER OF"

example: if scale is -0.000345678.= - 345678 x $10^{(-9)}$
value will be 345678 decimal = 5464E hex
bit 19 =1 for negative
bits 20-23 = DP = 10 = A hex
then data will be AD464E hex

6. READING OFFSET:

Deviation, apply to input to get a higher or lower reading.

This is 3 byte data (6 characters) as:

- Bits 0 to 19 are value from 0 to 1000000
- Bit 23 is sign, 0 for positive, 1 for negative
- Bits 20,21,22 are decimal point value = DP

It means as :

Actual decimal value = $10^{(2 - DP)}$

where ** means "TO THE POWER OF"

example: offset value is 234.089
value of 234089 decimal = 39269 hex
decimal value = $10^{(-3)}$ then DP=5
then 234.089 decimal = 539269 hex

7. COMMUNICATION PARAMETERS:

This is one byte data and specifies
BAUD, PARITY, DATA, and STOP bit.

BAUD = bits 2,1,0 are:

000-001	not used
010	for 1200
011	for 2400
100	for 4800
101	for 9600
110	for 19200
111	not used

PARITY = bits 4,3 and are:

00	for NO
01	for ODD
10	for EVEN
11	not used

DATA BIT = bit 5 and is:

0	for 7 data
1	for 8 data

STOP BIT = bit 6 and is:

0	for 1 stop
1	for 2 stop

Bit 7 : always 0

Note 1: Stop bit is always 1. Unless 7 data, no parity is selected then unit will use 2 stop bits.

Note 2: When 8 Data bit is selected, only NO PARITY is allowed.

8. **BUS FORMAT:**

This is one byte data as:

Bit 0 = 0/1	means checksum not included/included
Bit 1	not used
Bit 2 = 0/1	means no echo/echo
Bit 3 = 1	means 485 mode
Bit 4 = 1	means command mode
Bits 7-5	not used

For models (PR/ST/FP):

Bit 7 = 0/1	Enable/Disable peak and valley comparison
-------------	---

NOTE 1: ECHO mode means the unit will echo back the command letter and index.

NOTE 2: Do not use checksum option unless you have to use it.

9. DATA FORMAT:

This is one byte and specifies the data which will be transmitted against the "V01" command.

Bit pattern:

bit 0 = 0/1 Means do not include/include peak & valley status register.

bit 1 = 0/1 Means do not include/include reading.

For models(TC/RTD/ACV/ACC):

bit 2 = 0/1 Means do not include/include peak reading.

For models(PR/ST):

bit 2 = 0/1 Means do not include/include process totalize.

For models(TC/RTD/ACV/ACC):

bit 3 = 0/1 Means do not include/include valley reading.

For models(PR/ST/FP):

bit 3 = 0/1 Means do not include/include peak reading.

For models(TC/RTD/ACV/ACC):

bits 4 Not used. Set to 0.

For models(PR/ST/FP):

bits 4 = 0/1 Means do not include/include valley reading.

bit 5 Not used. Set to 0.

bit 6 = 0/1 Means do not include/include unit of measure.

bit 7 = 0/1 Means space/carriage return between values.

10. DEVICE ADDRESS :

This is one byte data and specifies the address of the unit when in RS485 multipoint mode. Addresses are in hexadecimal from 01 to FF.

NOTE: Address 00 is for broadcasting. All units on the same BUS will perform any command with this address but will not respond.

11. RECOGNITION CHARACTER:

This is one byte security character.
(Default is *)

12. UNIT OF MEASURE:

This is 3 bytes. It is ASCII value of unit of measure.

13. GATE TIME(For FP model only):

This is 1 byte from 00 to FF.

For value = 00 to FA:

Each count equals 10ms. If 0 then gate time = 3ms.

Example : 1 second gate time = 64 hex.

For value = FB to FF:

<u>Value</u>	<u>Gate time</u>
FB	5 seconds
FC	10 seconds
FD	20 seconds
FE	40 seconds
FF	80 seconds

14. DEBOUNCE TIME(For FP model only):

This is 1 byte from 01 to FF.

Each count equals 5ms. If 0 then error.

15. TRANSMIT TIME:

This is 2 bytes data in second and specifies the time of the transmission by the meter.

VI. COMMANDS FOR MEASUREMENT VALUES:

Command **Receiving value**

***01X01** **(For all models):** Reading value. After reading scale and offset.

Note: In order to have continuous update on reading. Customer should send **X01** command every time reading is requested.

Models(TC/RTD/ACV/ACC):

***01X02** Peak reading value.

***01X03** Valley reading.

Models(PR/ST/FP):

***01X03** Peak reading value.

***01X04** Valley reading.

***01V01** **(For all models):** String of values.

Received values are in decimal with decimal point and no sign for positive and minus sign for negative.

Example : 00345.6 or -00345.6

If value is overflowed a “?” will be transmitted along with value (?-99999. or ?999999).

VII. COMMANDS FOR READING MODEL/INPUT TYPE:

Command **Receiving value**

***01U01** One byte for model number

VALUE **MODEL**

00 FP

01 PR

02 ST

03 TC

04 RTD

05 ACV

06 ACC

VIII. RESET COMMANDS :

***01Z01 (For all models):** Hard reset (reading data from EEPROM).

***01Z02 (For all models):** Soft reset (Initialize reading).

***01Z03 (For models: TC/RTD/ACV/ACC):** Reset peak and value.
(For models: PR/ST): Reset process totalize value.

***01Z04 (For models: (PR/ST/FP):** Reset peak value.

***01Z05 (For models: PR/ST/FP):** Reset valley value.

***01Z07 (For models: TC/RTD/ACV/ACC):** Reset peak only.

***01Z08 (For models: TC/RTD/ACV/ACC):** Reset valley only.

NOTE:

* : Recognition character
01(Follow “*”) : Address

IX. SAMPLE PROGRAM:

```
' ASSUMING :  
' BAUD RATE = 9600  
' PARITY = ODD  
' DATA BIT = 7  
' STOP BIT = 1  
' COMM PORT = 1  
' ADDRESS = 01  
' RECOG. CHAR = *  
' SERIAL PORT = COM1  
' FOR COMM PORT = 2 -> CHANGE "COM1:" TO "COM2:"  
' THIS PROGRAM WILL GET READING AND DISPLAY IT EVERY 1 SECOND  
ON ERROR GOTO ER  
ON TIMER(1) GOSUB RDG  
CLS  
CLOSE #1  
COLOR 1, 7  
LOCATE 22, 30  
PRINT "PRESS <ESC> TO END"  
OPEN "COM1:" + "9600,0,7,1,CS,DS" FOR RANDOM AS #1  
LOCATE 10, 30  
PRINT "READING = "  
TIMER ON  
DO: LOOP UNTIL INKEY$ = CHR$(27)
```

```

COLOR 7, 0
CLS
END
RDG:
  PRINT #1, "*01X01"
  DAT1$ = ""
  DAT$ = ""
  T$ = TIME$
  T1$ = MID$(T$, LEN(T$) - 1, 2)
  T1 = VAL(T1$)
  DO
    IF LOC(1) > 0 THEN
      CNT = 0
      DAT1$ = INPUT$(LOC(1), #1)
      DAT$ = DAT$ + DAT1$
    ELSE
      T$ = TIME$
      T2$ = MID$(T$, LEN(T$) - 1, 2)
      T2 = VAL(T2$)
      IF T2 < T1 THEN T2 = T2 + 60
      IF T2 - T1 >= 2 THEN CNT = 1
    END IF
  LOOP UNTIL CNT = 1 OR INSTR(1, DAT$, CHR$(13)) > 0
  IF DAT$ = "" THEN
    LOCATE 5, 30
    COLOR 28
    PRINT "COMMUNICATION ERROR!"
    P = 1
  ELSE
    IF P = 1 THEN
      LOCATE 15, 30
      COLOR 7, 0
      PRINT " " " " ' (24 SPACES)
      P = 0
    END IF
    LOCATE 10, 40
    D$ = MID$(DAT$, 6)
    DAT$ = LEFT$(D$, LEN(D$) - 1)
    COLOR 1, 7
    PRINT DAT$; " " " " ' (2 SPACES)
  END IF
RETURN
ER:
  RESUME NEXT

```

DRX-ACC SPECIFICATIONS

INPUT RANGES:

10 mA, 100 mA, 1 Amp, 5 Amp AC current
Dedicated input terminals for (10, 100 mA same input), 1 Amp and 5 Amp. Return terminal common to all ranges.

FREQUENCY RANGE:

30 Hz to 1KHz

INPUT IMPEDANCE:

3.3 Ohms for 10, 100 mA input
0.2 Ohms for 1 Amp input
0.04 Ohms for 5 Amp input

ISOLATION:

Three way isolation up to 1800 V Peak for 1 minute,
354 V Peak continuous per IEC spacing.
Common mode rejection 100 dB

INPUT OVER-CURRENT PROTECTION:

10% Above full scale continuously
100% Above full scale for 10 seconds

ANALOG TO DIGITAL TECHNIQUE:

Dual slope

READ RATE:

3 readings/second

ACCURACY AT 25 °C:

± 0.2% of FS from 30 Hz to 1 KHz

TEMPERATURE STABILITY:

10, 100 mA Range 100 ppm/°C typical
1 Amp Range 150 ppm/°C typical
5 Amp Range 200 ppm/°C typical

STEP RESPONSE FOR RS485 OUTPUT:

2 seconds to 99% of the final value
(Filter time constant = 64)

RESPONSE TIME:

To verify the response time, check the carriage return <CR>, it will be sent at the end of the response. You can send another command after you receive the <CR>.

i.e. send: *01X01
response: 01X01<DATA><CR>

Note: 01 is address.

WARM UP TO RATED ACCURACY:

30 minutes

INPUT POWER:

10 to 32 Volt DC

POWER CONSUMPTION:

2.4 Watts (100 mA at 24 V DC)

OPERATING AMBIENT:

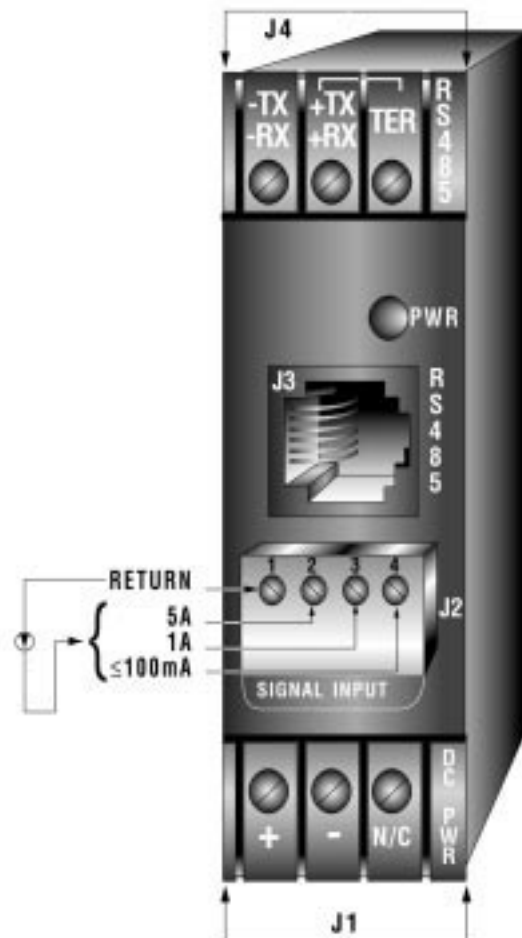
-5 to +55 °C

STORAGE TEMPERATURE:

-40 to +85 °C

RELATIVE HUMIDITY:

90% at 40 °C non-condensing



DRX-ACV SPECIFICATIONS

INPUT RANGES:

400 mV, 4V, 40 Volt, 400 Volt

FREQUENCY RANGE:

30 Hz to 1 KHz

INPUT IMPEDANCE:

2.1 Meg for all ranges.

ISOLATION:

Three way isolation up to 1800 V Peak for 1 minute,
354 V Peak continuous per IEC spacing
Common mode rejection 100 dB

INPUT OVER-VOLTAGE PROTECTION:

10% Above full scale continuously.
100% Above full scale for 10 seconds.

ANALOG TO DIGITAL TECHNIQUE:

Dual slope

READ RATE:

3 readings/second

ACCURACY AT 25 °C:

400 mV, 4V, 40V and 400V ranges
49 Hz to 500 Hz $\pm 0.2\%$ of FS
30 Hz to 1KHz $\pm 0.2\%$ of FS ± 10 counts

TEMPERATURE STABILITY:

400 mV and 40 Volt range 150 ppm/°C typical
4V and 400 Volt range 100 ppm/°C typical

STEP RESPONSE FOR RS485 OUTPUT:

2 seconds to 99% of the final value
(Filter time constant = 64)

RESPONSE TIME:

To verify the response time, check the carriage return
<CR>, it will be sent at the end of the response. You
can send another command after you receive the
<CR>.

i.e. send: *01X01
response: 01X01<DATA><CR>

Note: 01 is address.

WARM UP TO RATED ACCURACY:

30 minutes

INPUT POWER:

10 to 32 Volt DC

POWER CONSUMPTION:

2.4 watts (100 mA at 24 Vdc)

OPERATING AMBIENT:

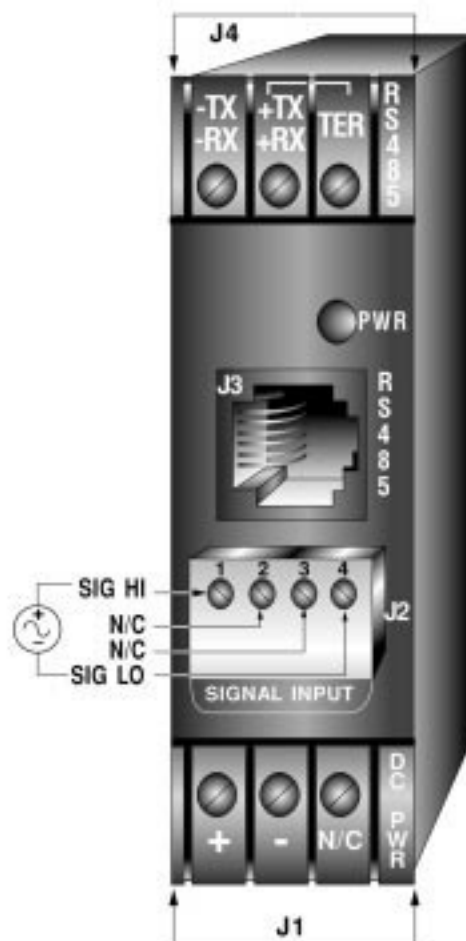
-5 to +55 °C

STORAGE TEMPERATURE:

-40 to +85 °C

RELATIVE HUMIDITY:

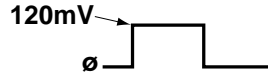
90% at 40 °C non-condensing



DRX-FP SPECIFICATIONS

INPUT TYPE:

Min. Low level signal input (magnetic pickups) : From 0 mV to 120 mV
 Open Collector NPN (Use software to set: 3 KΩ pull up to 5V): Max. current source = 1.66 mA



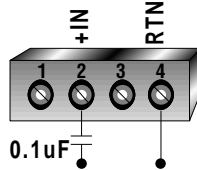
Open Collector PNP (Use software to set: 1KΩ pull down to RTN):

Max. current sink = 12.5 mA

TTL/CMOS Input: (Use software to set: no pull up/down).

Low <= 0.8 V , High >= 3.5 V (For Input: 0.2 Hz to 16 KHz)

Low <= 0.8 V , High >= 12 V (For Input: 0.2 Hz to 50 KHz)



NAMUR Sensors (Use software to set: 1KΩ pull down to RTN and 8.2V Excitation.)

For measuring a low level signal riding on top of a large DC signal, connect a 0.1 uF capacitor. See Detail. Use software to set 1KΩ pull down to RTN.

OPERATING MODES:

Frequency: Range = 0.2 Hz to 50 KHz

Totalize with Reset: Range = 0 to 999999, if reading is larger than 999999, then reading is converted to floating point number, i.e. 9.99E9 (maximum).

A-B Totalize (Reset input used as +A input):

Range = -99999 to 999999, if reading is larger than 999999, then reading is converted to floating point number, i.e. -9.99E9 (minimum), 9.99E9 (maximum).

Quadrature (Reset input used as second input): Range = -99999 to 999999, if reading is larger than 999999, then reading is converted to floating point number, i.e. -9.99E9 (minimum), 9.99E9 (maximum).

ISOLATION:

Three way isolation up to 1800 V Peak for 1 minute, 354 V Peak continuous per IEC spacing.

Normal mode rejection 60dB

Common mode rejection 100dB

INPUT IMPEDANCE:

Input: 1MΩ to +EXC

Reset: 100K to +5V

INPUT OVER-VOLTAGE PROTECTION:

With 1K pull down: 14V

With 3K pull up: 20V

Without pull up/down: 60V

EXCITATION:

5, 8.2 or 12.5V at 25mA, programmable

ACCURACY AT 25 °C:

± 0.1% of FS Crystal time base accuracy: ± 50 ppm

TEMPERATURE STABILITY:

± 50 ppm/°C typical Time base stability: ± 1ppm/°C

STEP RESPONSE FOR RS485 OUTPUT:

0.1 second to 99% of the final value

(Filter time constant = 0, Gate time = 0.05 Sec)

RESPONSE TIME:

To verify the response time, check the carriage return <CR>, it will be sent at the end of the response. You can send another command after you receive the <CR>.

i.e. send: *01X01

response: 01X01<DATA><CR>Note: Only for

reading (X01 command).

01 is address.

Frequency mode: response time is controlled by the gate time. If gate time is increased then response time is longer.

Other modes: response time is not controlled by the gate time.

WARM UP TO RATED ACCURACY:

30 minutes

INPUT POWER:

10 to 32 Volt DC

POWER CONSUMPTION:

3 Watts (125mA at 24V DC)

OPERATING AMBIENT:

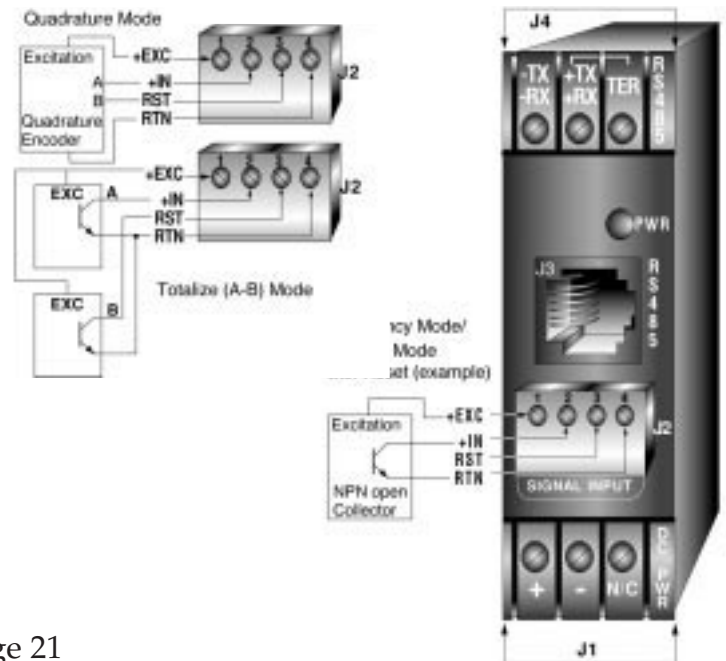
-5 to +55 °C

STORAGE TEMPERATURE:

-40 to +85 °C

RELATIVE HUMIDITY:

90% at 40 °C non-condensing



DRX-PR SPECIFICATIONS

INPUT RANGES:

±20mA; ±400mV, ±1V, ±2V, ±5V, and ±10V
Ratiometric or nonratiometric

EXCITATION:

14V or 10V @ 25mA

INPUT IMPEDANCE:

Voltage Range: 1MΩ
Current Range: 10Ω

ISOLATION:

Three way isolation up to 1800 V Peak for 1 minute,
354 V Peak continuous per IEC spacing
Common mode rejection 100dB

INPUT OVER-RANGE PROTECTION:

Voltage input: 50V
Current input: 50mA

MODE:

Linear, Square root, Linear totalize,
Square root totalize

ANALOG TO DIGITAL TECHNIQUE:

Multiple slopes

READ RATE:

8 readings/second, automatic polarity
ACCURACY AT 25 °C:
±0.1% of FS ± 2 counts

TEMPERATURE STABILITY:

100 ppm/°C typical

STEP RESPONSE FOR RS485 OUTPUT:

2 seconds to 99% of the final value
(Filter time constant = 64)

RESPONSE TIME:

To verify the response time, check the carriage return
<CR>, it will be sent at the end of the response. You
can send another command after you receive the
<CR>.

i.e. send: *01X01
response: 01X01<DATA><CR>

Note: 01 is address.

WARM UP TO RATED ACCURACY:

30 minutes

INPUT POWER:

10 to 32 Volt DC

POWER CONSUMPTION:

3 watts (125 mA at 24Vdc)

OPERATING AMBIENT:

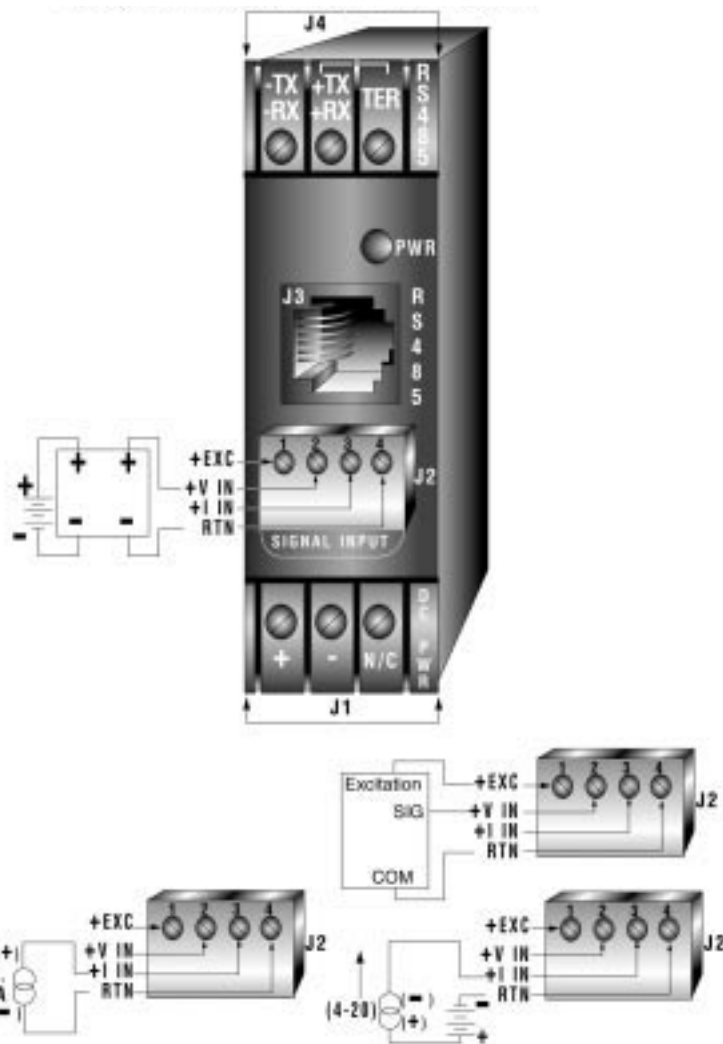
-5 to +55 °C

STORAGE TEMPERATURE:

-40 to +85 °C

RELATIVE HUMIDITY:

90% at 40 °C non-condensing



DRX-RTD SPECIFICATIONS

SPECIFICATIONS:

100, 500, 1000 Ohm platinum RTD with both European (alpha=0.00385) and American (alpha=0.00392) curves.

Input Type:

100 Ohm	-328 to 1562 °F	-200 to 850 °C
500 Ohm	-328 to 1562 °F	-200 to 850 °C
1000 Ohm	-328 to 1562 °F	-200 to 850 °C

ISOLATION:

Three way isolation up to 1800 V Peak for 1 minute, 345 V Peak continuous per IEC spacing.
Common mode rejection 100 dB

INPUT OVER-VOLTAGE PROTECTION:

250 V AC for 1 Minute

ANALOG TO DIGITAL TECHNIQUE:

Dual slope

READ RATE:

3 readings/second, automatic polarity

ACCURACY AT 25 °C:

±0.5 °C for platinum RTD's

TEMPERATURE STABILITY:

0.05 °C/°C

STEP RESPONSE FOR RS485 OUTPUT:

2 seconds to 99% of the final value
(Filter time constant = 64)

RESPONSE TIME:

To verify the response time, check the carriage return <CR>, it will be sent at the end of the response. You can send another command after you receive the <CR>.

i.e. send: *01X01

response: 01X01<DATA><CR>

Note: 01 is address.

WARM UP TO RATED ACCURACY:

30 minutes

INPUT POWER:

10 to 32 Volt DC

POWER CONSUMPTION:

2.4 Watts (100 mA at 24 V DC)

OPERATING AMBIENT:

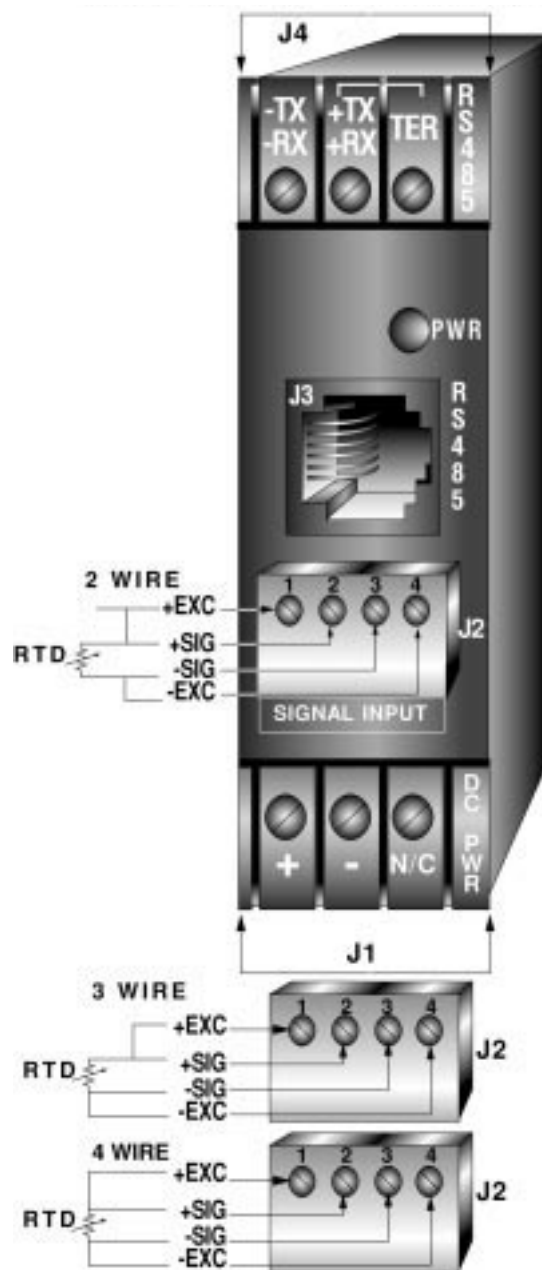
-5 to +55 °C

STORAGE TEMPERATURE:

-40 to +85 °C

RELATIVE HUMIDITY:

90% at 40 °C non-condensing



DRX-ST SPECIFICATIONS

INPUT RANGE:

±30mV/ ±100mV
Ratiometric or nonratiometric

EXCITATION:

10V @ 30mA or external

INPUT IMPEDANCE:

More than 1MΩ

ISOLATION:

Three way isolation up to 1800 V Peak for 1 minute,
354 V Peak continuous per IEC spacing.
Common mode rejection 100dB

INPUT OVER-RANGE PROTECTION:

Voltage input: From -10 to +20V

ANALOG TO DIGITAL TECHNIQUE:

Multiple slopes

READ RATE:

8 readings/second, automatic polarity

ACCURACY AT 25 °C:

±0.2% of FS ± 2 counts

TEMPERATURE STABILITY:

75 ppm/°C typical

STEP RESPONSE FOR RS485 OUTPUT:

2 seconds to 99% of the final value
(Filter time constant = 64)

RESPONSE TIME:

To verify the response time, check the carriage return <CR>, it will be sent at the end of the response. You can send another command after you receive the <CR>.

i.e. send: *01X01
response: 01X01<DATA><CR>

Note: 01 is address.

WARM UP TO RATED ACCURACY:

30 minutes

INPUT POWER:

10 to 32 Volt DC

POWER CONSUMPTION:

3 watts (125 mA at 24Vdc)

OPERATING AMBIENT:

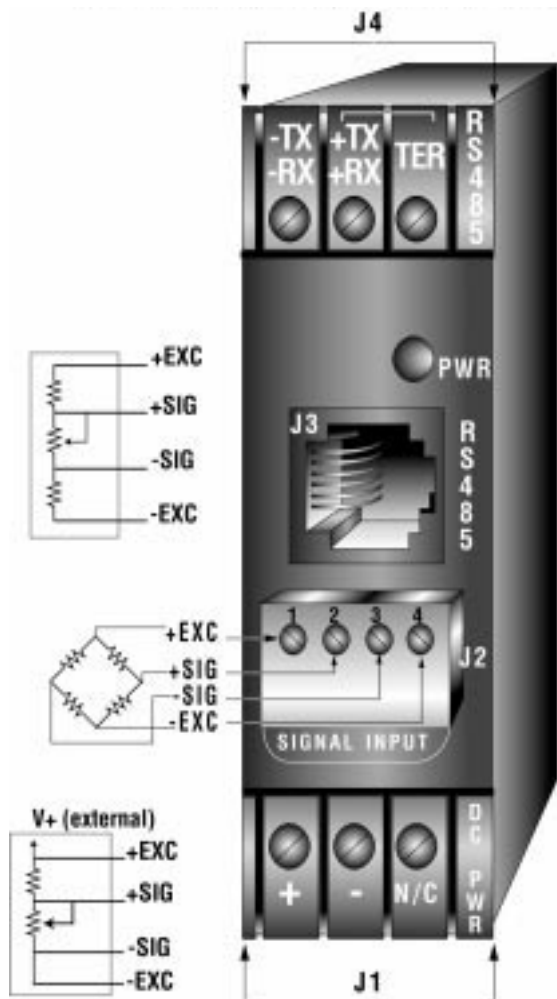
-5 to +55 °C

STORAGE TEMPERATURE:

-40 to +85 °C

RELATIVE HUMIDITY:

90% at 40 °C non-condensing



DRX-TC SPECIFICATIONS

INPUT TYPE:

Type J,K,T,E,R,S,B,N, J DIN

Input Type	Range °F	Range °C
J	-346 to 1400°F	-210 to 760 °C
K	-454 to 2500°F	-270 to 1372 °C
T	-454 to 752 °F	-270 to 400 °C
E	-454 to 1832 °F	-270 to 1000 °C
R S	-58 to 3214 °F	-50 to 1768 °C
B	+212 to 3300 °F	+100 to 1820 °C
N	-454 to 2372°F	-270 to 1300 °C
J DIN	-328 to 1652 °F	-200 to 900 °C

ISOLATION:

Three way isolation up to 1800 V peak 1 minute,
354 V peak continuous per IEC spacing.

Common mode rejection 100 dB

INPUT OVER-VOLTAGE PROTECTION:

250 V AC for 1 minute

ANALOG TO DIGITAL TECHNIQUE:

Dual slope

READ RATE:

3 readings/second, automatic polarity

ACCURACY AT 25 °C:

±1°C for temperature above -150 °C

±2°C for temperature below -150 °C

TEMPERATURE STABILITY:

0.05 °C/°C

STEP RESPONSE FOR RS485 OUTPUT:

2 seconds to 99% of the final value

(Filter time constant = 64)

RESPONSE TIME:

To verify the response time, check the carriage return <CR>, it will be sent at the end of the response. You can send another command after you receive the <CR>.

i.e. send: *01X01

response: 01X01<DATA><CR>

Note: 01 is address.

WARM UP TO RATED ACCURACY:

30 minutes

INPUT POWER:

10 to 32 Volt DC

POWER CONSUMPTION:

2.4 Watts (100 mA at 24 V DC)

OPERATING AMBIENT:

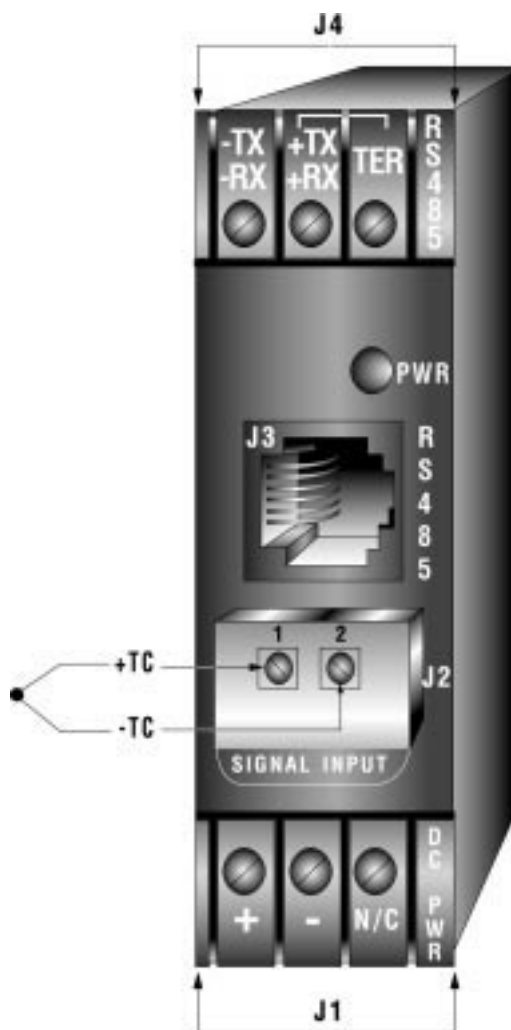
-5 to +55 °C

STORAGE TEMPERATURE:

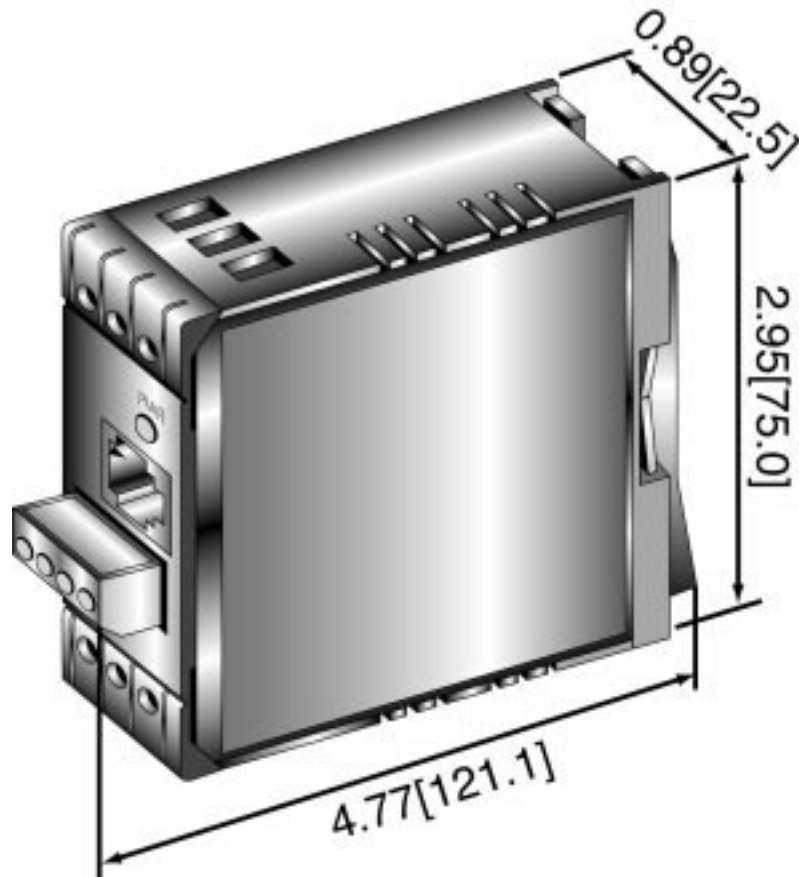
-40 to +85 °C

RELATIVE HUMIDITY:

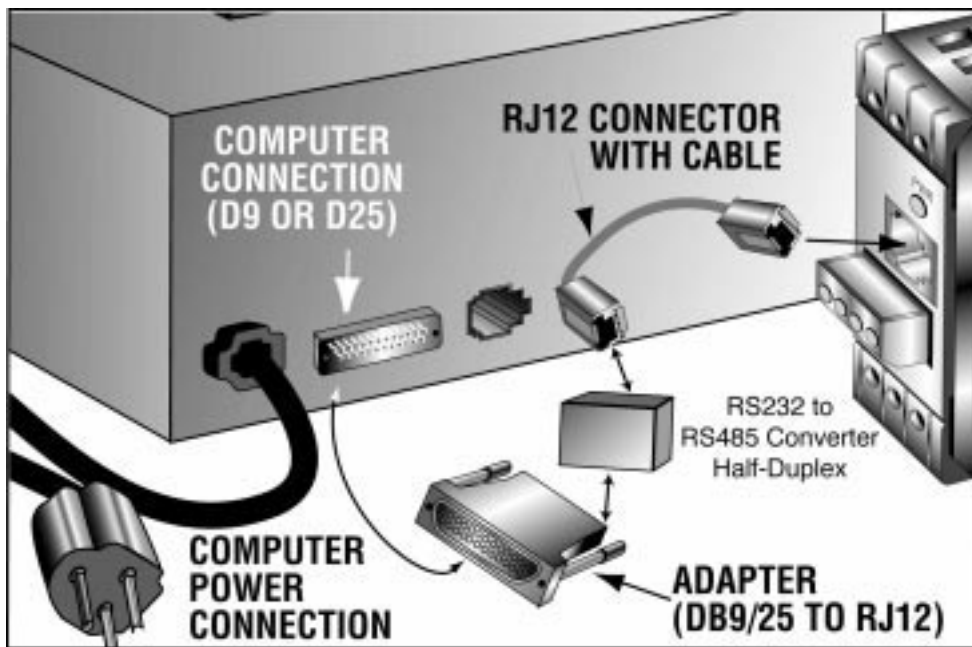
90% at 40 °C non-condensing



DIMENSIONS:



TYPICAL COMPUTER SETUP:



For immediate technical or application assistance please call:

1-800-6397678®
1-800-NEWPORT

Newport Electronics, Inc.

2229 South Yale Street • Santa Ana, CA • 92704-4426 • U.S.A.
TEL: (714) 540-4914 • FAX: (714) 546-3022
Toll Free: 1-800-639-7678 • e-mail: info@newportinc.com

Newport Technologies, Inc.

976 Bergar • Laval (Quebec) • H7L 5A1 • Canada
TEL: (514) 335-3183 • FAX: (514) 856-6886
Toll Free: 1-800-639-7678 • e-mail: info@newport.qc.ca

Newport Electronics, Ltd.

One Omega Drive • River Bend Technology Centre
Northbank, Irlam, • Manchester, M44 5EX, England
Tel: 44 (161) 777-6611 • FAX: 44 (161) 777-6622
Toll Free: 0800-488-488 • e-mail: info@newportinc.co.uk

Newport Electronics B.V.

Postbus 8034 • 1180 LA Amstelveen • The Netherlands
TEL: (31) 20 6418405 • FAX: (31) 20 6434643
Toll Free: 0800 0993344 • e-mail: nl@newportinc.com

Newport Electronics spol s.r.o.

ul. Rude armady 1868, 733 01 Karvina-Hranice • Czech Republic
TEL: 420 (69) 6311899 • FAX: 420 (69) 6311114
Toll Free: 0800-1-666432 • e-mail: info@newport.cz

Newport Electronics GmbH

Daimlerstrasse 26 • D-75392 Deckenpfronn • Germany
TEL: 49 (07056) 3017 • FAX: 49 (07056) 8540
Toll Free: 0130 11 21 66 • e-mail: info@newport.de

Newport Electronique S.A.R.L.

9, rue Denis Papin • 78190 Trappes • France
TEL: (33) 130-621-400 • FAX: (33) 130-699-120
Toll Free: 0800-4-63978 • e-mail: france@newportinc.com

Mexico and Latin America

TEL: 95-800-639-7678 • FAX: 95-203-359-7807
En Español: (203) 359-7803 • e-mail: espanol@newportinc.com

NEWPORTnetSM On-Line Service http://www.newportinc.com	Internet e-mail info@newportinc.com
---	--

 **NEWPORT** Electronics, Inc.

Warranty/Disclaimer

NEWPORT ELECTRONICS, INC. warrants this unit to be free of defects in materials and workmanship for a period of one (1) year from date of purchase. In addition to NEWPORT's standard warranty period, NEWPORT ELECTRONICS will extend the warranty period for one (1) additional year if the warranty card enclosed with each instrument is returned to NEWPORT.

If the unit should malfunction, it must be returned to the factory for evaluation. NEWPORT's Customer Service Department will issue an Authorized Return (AR) number immediately upon phone or written request. Upon examination by NEWPORT, if the unit is found to be defective it will be repaired or replaced at no charge. NEWPORT's WARRANTY does not apply to defects resulting from any action of the purchaser, including but not limited to mishandling, improper interfacing, operation outside of design limits, improper repair, or unauthorized modification. This WARRANTY is VOID if the unit shows evidence of having been tampered with or shows evidence of being damaged as a result of excessive corrosion; or current, heat, moisture or vibration; improper specification; misapplication; misuse or other operating conditions outside of NEWPORT's control. Components which wear are not warranted, including but not limited to contact points, fuses, and triacs.

NEWPORT is pleased to offer suggestions on the use of its various products. However, NEWPORT neither assumes responsibility for any omissions or errors nor assumes liability for any damages that result from the use of its products in accordance with information provided by NEWPORT, either verbal or written. NEWPORT warrants only that the parts manufactured by it will be as specified and free of defects. NEWPORT MAKES NO OTHER WARRANTIES OR REPRESENTATIONS OF ANY KIND WHATSOEVER, EXPRESSED OR IMPLIED, EXCEPT THAT OF TITLE, AND ALL IMPLIED WARRANTIES INCLUDING ANY WARRANTY OF MERCHANTABILITY AND FITNESS FOR A PARTICULAR PURPOSE ARE HEREBY DISCLAIMED. LIMITATION OF LIABILITY: The remedies of purchaser set forth herein are exclusive and the total liability of NEWPORT with respect to this order, whether based on contract, warranty, negligence, indemnification, strict liability or otherwise, shall not exceed the purchase price of the component upon which liability is based. In no event shall NEWPORT be liable for consequential, incidental or special damages.

CONDITIONS: Equipment sold by NEWPORT is not intended to be used, nor shall it be used: (1) as a "Basic Component" under 10 CFR 21 (NRC), used in or with any nuclear installation or activity; or (2) in medical applications or used on humans. Should any Product(s) be used in or with any nuclear installation or activity, medical application, used on humans, or misused in any way, NEWPORT assumes no responsibility as set forth in our basic WARRANTY/DISCLAIMER language, and additionally, purchaser will indemnify NEWPORT and hold NEWPORT harmless from any liability or damage whatsoever arising out of the use of the Product(s) in such a manner.

Return Requests/Inquiries

Direct all warranty and repair requests/inquiries to the NEWPORT Customer Service Department. BEFORE RETURNING ANY PRODUCT(S) TO NEWPORT, PURCHASER MUST OBTAIN AN AUTHORIZED RETURN (AR) NUMBER FROM NEWPORT'S CUSTOMER SERVICE DEPARTMENT (IN ORDER TO AVOID PROCESSING DELAYS). The assigned AR number should then be marked on the outside of the return package and on any correspondence.

The purchaser is responsible for shipping charges, freight, insurance and proper packaging to prevent breakage in transit.

FOR **WARRANTY** RETURNS, please have the following information available BEFORE contacting NEWPORT:

1. P.O. number under which the product was PURCHASED,
2. Model and serial number of the product under warranty, and
3. Repair instructions and/or specific problems relative to the product.

FOR **NON-WARRANTY** REPAIRS, consult NEWPORT for current repair charges. Have the following information available BEFORE contacting NEWPORT:

1. P.O. number to cover the COST of the repair,
2. Model and serial number of product, and
3. Repair instructions and/or specific problems relative to the product.

NEWPORT's policy is to make running changes, not model changes, whenever an improvement is possible. This affords our customers the latest in technology and engineering.

NEWPORT is a registered trademark of NEWPORT ELECTRONICS, INC.

© Copyright 1997 NEWPORT ELECTRONICS, INC. All rights reserved. This document may not be copied, photocopied, reproduced, translated, or reduced to any electronic medium or machine-readable form, in whole or in part, without prior written consent of NEWPORT ELECTRONICS, INC.