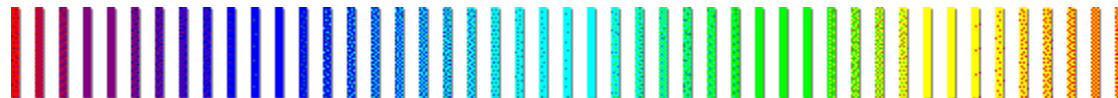


HP DeskJet 850C

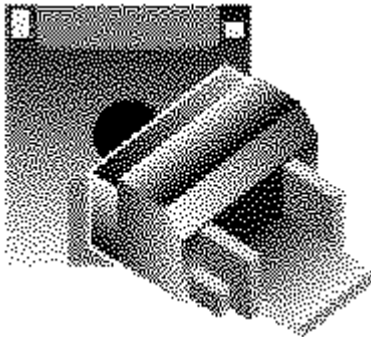
f v f Š f “ f ^ , É Š Ö , . , é □ î • ñ



- HP f v f Š f “ f e f B f “ f O f v f X f e f €
- f E f C f “ f h f E , Æ f _ f C f A f □ f O f { f b f N f X
- Å “ K , È f v f Š f “ f ^ , ì □ Ý ’ è
- Š e Ž í — p Ž t , ì ’ I ’ ð
- p Ž t , Æ f v f Š f “ f g f J □ [f g f Š f b f W , ì Ž g — p - @
- ^ ó □ ü , É - â ’ è , ã , , é , Æ , «



 [-ÚŽŮ](#)

HP DeskJet $f v f \check{S} f " f e f B f " f O f V f X f e f \text{€}$

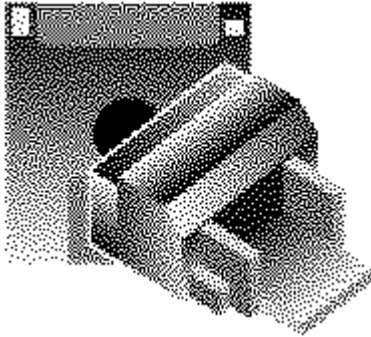


 $f v f \check{S} f " f ^ , \acute{E} , \hat{A} , \text{¢} , \text{Ä}$
 $f v f \check{S} f " f ^ f h f \% o f C f o , \acute{E} , \hat{A} , \text{¢}$
 $, \text{Ä}$



[-ÚžŸ](#)

fEfCf“fhfEfY,Æf_fCfAf□fOf{fbfNfX



ColorSmartf_fCfAf□fOf{fbfNfX

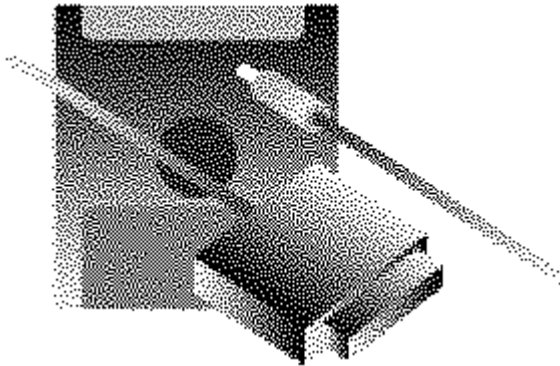
ColorSmartflfvfVf‡f“

f_fCfAf□fOf{fbfNfX

HP DeskJetfXfe□lf^fX f,fjf^

[-ÚŽŸ](#)

Å“K,ÈfvfŠf“f^,ìŸ'è



^óü«”\,ìŸüã

fvfŠf“f^fhf
%ofCfo,lfAfbfvfflf

fGfRfmftf@[fXfgf,[fh,ìŽg—p

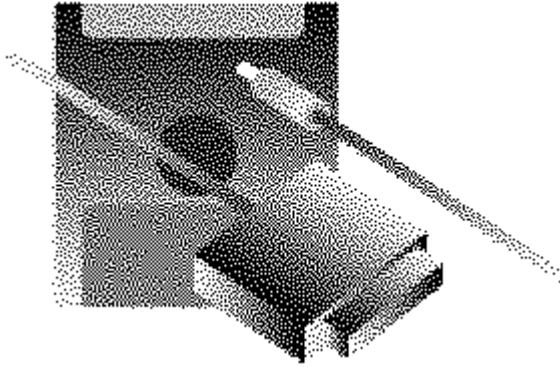
Ž©“®,Æf}fjf...fAf<,ì
ColorSmartfIfvfVf†f“

fjf

%o^[^óü,Æf,fmfNf^óü

-ÚŽŮ

ŠeŽí—pŽt,ì'í'ð



OHPftfBf<f€,,ì^óü

••“>,ì^óü

fjfXf^f€fTfCfY—pŽt,ì^óü

HPfvf€f~fAf€ë—

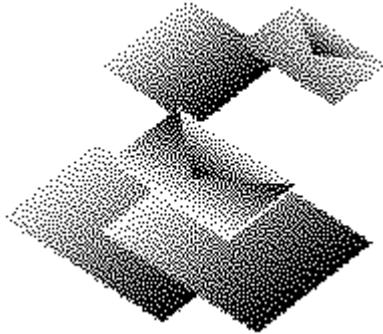
pŽt,ì^óü

fOf€[fXfP[f<^óü

fjf%oo[ì^óü

-ůžŷ

—pžt,Æfvfšf“fgfJ□[fgfšfbfW,ìžg—p-@



—pžt,ìžzfbfg

ìßøýä¶°Äø^{-1/4}þ,ìžæ,è•t,-

ìßøýä¶°Äø^{-1/4}þ,ìž²‡,í,¹

ìßøýä¶°Äø^{-1/4}þ,ì ø°Æý þ

-ÚŽŮ

^óü,É-â'è, ,é,Æ,«

«”\,iŠm”F

fvšf“f^,if{f^f”,Æf
%of“fv,iŠm”F

HP,ifTf|[]fg,đ“¾,é,É,í



-ÚŽŸ



HP DeskJetfvfŠf“fefBf“fOfVfXfef€

fvfŠf“f^ ,É,Â,ç,Ä



HP

DeskJet850C,íAfCE[fUfvfŠf“f^ ,È,Ý,ì• ,Æ
fjf%o[fOf

%oftfBfbfNfX,ð•’ÊŽ†,É,à,n,g,oftfBf<f€
,É,à^óü,Ä,« ,éfjf%o[fv fŠf“f^ ,Ä,·B,Û,½HP
DeskJet850C,íA,Q,Ä,ì/Oj|

[fg,ð,à,¿Windows,ÆMac'o•û,ìŠÂ« ,ÅŽg—
p,Ä,« ,Û,·B



Žg—p,Ä,« ,é—pŽt,ìŽí—p



fvfŠf“fgf| [fgfŠfbfW,É,Â,ç,Ä



fvfŠf“f^ ,ìf{f^f“ ,Æf
%of“fv





-ÚŽŸ



HP DeskJetfvfŠf“fefBf“fOfVfXfef€



fvfŠf“f^,É,Â,č,Ä

Žg—p,Å,«,é—pŽt,ìŽí—p



HP DeskJet850C,íA%°<L,ì—pŽt,Æ,»,ì¼,ì”ì,đŽg—p,Å,«,Û,·B



ŠeŽí—pŽt,ì’ìđ



f{f“fhŽt



fRfs[]Žt



••“>



HPfvf€f~fAf€fCf“fNfWfFfbfg[]é—pŽt



HPfvf€f~fAf€OHPftfBf<f€



HPfvf€f~fAf€€ö’òŽt

Note:

ColorSmartf_fCfAf[]fOf{fbfNfX,Å[]³,μ,ç—pŽt,ìŽí—p,đ’ì’đ,μ,Å,,¾,¾,ç[]B



ColorSmartf_fCfAf[]fOf{fbfNfX





-ÚŽŸ



HP DeskJetfvfŠf“fefBf“fOfVfXfef€



fvfŠf“f^,É,Â,ç,Ä

fvfŠf“fgfj[]lfgfŠfbfW,É,Â,ç,Ä



HP

DeskJet850CfvfŠf“f^,É,í[]ACEđŠ·Žž^ÈŠO,í[]íŽž,Æ,è,Â,~,½,Ü,Ü,Åžg—
p,·,éf,fmfNf[],Æfjf%o[]l,lfvfŠf“fgfj[]lfgfŠfbfW,ª•t’®,µ,Ä,ç,Ü,·[]B

[]Å[],ì^óü•iŽž,đ^ÚŽ[],·,é,½,ß,É,ÍŽŸ,ì,±,Æ,É’^Ó,µ,Ä,,¾,¾,ç[]B



fvfŠf“f^,ì“dCE¹,đfjft,É,µ[]A“dCE¹fR[]lfh,đ”²,-
‘O,ÉfvfŠf“fgfj[]lfgfŠfbfW,đfvfŠf“f^,ì%oE’α,É-ß,µ,Ä,,¾,¾,ç[]B



fvfŠf“fgfj[]lfgfŠfbfW,í-š•Â—eší,É“ü,ê[]AŽº
%o·16ß[]`26ßC,Ä•ÚŠÇ,µ,Ä,,¾,¾,ç[]B



fvfŠf“fgfj[]lfgfŠfbfW,ì
Zæ,è•t,~



fvfŠf“fgfj[]lfgfŠfbfW,ì
fNfŠ[]lfi“fO



fvfŠf“fgfj[]lfgfŠfbfW,ì
Z²[]ž,í,¹



-ÚŽŸ



HP DeskJetfvfŠf“f^fBf“fOfVfXfef€



fvfŠf“f^,É,Â,č,Ä

fvfŠf“f^,İf{f^f“ ,Æf%of“fv



HP

DeskJet850CfvfŠf“f^,É,İA“dCE¹,â^óü,ðfRf“fgf[f<,;éfXfCfbf` ,ÆfvfŠf“f^,İó‘Ö,ð•Ž!,; ,éf%of“fv,ª, ,è,Ü,·B



fvfŠf“f^,İf{f^f“ ,Æf%of“fv,İSm”F



fCEfWf...[f€ f%of“fv

fvfŠf“f^,É%½,ç,©,İ^‘u,ª•K—v,È,Æ,«”_—Å,µ,Ü,·B

fCEfWf...[f€ f{f^f“

İ^‘u,ª[İ,İ,Å,½,çA,±,İf{f^f“ ,ð%Ÿ,µ,ÄfvfŠf“f^,ð^óü%Å“\İó‘Ö,É,µ,Ü,·B



“dCE¹f%of“fv

“dCE¹,ªfİf“,İ,Æ,«” “”,µ,Ü,·B,o,b,©,çİ•ñ,ðŽóM’t, ,é,ç,İ^óü’t,É”_—Å,µ,Ü,·B

“dCE¹f{f^f“

,±,İf{f^f“ ,ð%Ÿ,; ,Æ“dCE¹,ªfİf“,Ü,½,İfİft,É,È,è,Ü,·B





[-ÚŽŸ](#)



[HP DeskJetfvfŠf“f^fhf%oofCfo,É,Â,ç,Ä](#)

f^fhf%oofCfo,É,Â,ç,Ä



HP DeskJet850CfvfŠf“f^•t’®,)f\
ftfgfEjFfA,íAfvfŠf“f^fhf%oofCfoAHP
DeskJetXfe[]f^fXf,fjf^AfŠfŠ[]fXfm[]fg
A,“,æ,Ñfj“f%ofCf“fwfçfv,Å,·B



[HP](#)

[DeskJetfXfe\[\]f^fXf,fjf^,É,Â,ç,Ä](#)



[HP ColorSmartfvfŠf“f^fhf](#)

[%oofCfo](#)



[fŠfŠ\[\]fX fm\[\]fg](#)





-ÜŽŸ



HP DeskJetfvfŠf“fefBf“fOfVfXfef€



fvfŠf“f^fhf%oFCfo,É,Â,ç,Ä

HP DeskJetXfe□[f^fXf,fjf^,É,Â,ç,Ä



HP

DeskJetXfe□[f^fXf,fjf^,í«»Ÿ,ì^ó□üff□[f^,ÆfvfŠf“f^,ìó’Ô,É,Â,ç,Ä,ì□•ñ,ð’ñ<Ÿ,μ,Û,·□B,Û,½fvfŠf“fgf□[fgfŠfbfW,ìNfŠ□[fjf“fO,âŽ²□±,í,¹□AfZf<ftfefXfg,È,Ç,à,“,±,É,ì,Û,·□B

HP DeskJetXfe□[f^fXf,fjf^,ì^ó□ü,·,é•¶□,ð’—,Á,½,Æ,«□A, ,é,ç,ì^ó□ü,ìfGf%o□[,ª”□¶,μ^ó□ü,ð□ÄŠJ,·,é’O,É%o½,ç,©,ì□^’u,ª•K—v,È,Æ,«□AZ©“@“ì,ÉSj,©,è,Û,·□B,Û,½□AfXfe□[f^fXf,fjf^,ìfvf□Of%oF€f}f□[fWff,ìHP DeskJetf□[fefBfŠfefBfOf<□[fv,É, ,éHP DeskJetXfe□[f^fXf,fjf^fAfCfRf“,ðf_fuf<fNfŠfbfN,·,é,±,Æ,É,æ,Á,Ä,àfAfNfZfX,Ä,«,Û,·□B

HP DeskJetXfe□[f^fXf,fjf^,É,æ,Á,Ä,Â,À,—,ì,±,Æ,ª,Ä,«,Û,·□B



«»Ÿ,ì^ó□üfWf#fu,ìf,fjf^



fvfŠf“f^,ìó’Ô,ìf,fjf^



fvfŠf“fgf□[fgfŠfbfW,ìNfŠ□[fjf“fO



fvfŠf“fgf□[fgfŠfbfW,ìŽ²□±,í,¹



«»Ÿ,ì^ó□üfWf#fu,ìfLfff“fZf<

Note:

HP DeskJetXfe□[f^fXf,fjf^,ì□Aftf<ftfCfY,ìfEfCf“fhfE,Æ,μ,Ä, ,é,ç,ìfAfCfRf“,©,ç,ç,Ä,Ä,à•\Ž|,³,è,Û,·□BfAfCfRf“,ðftf<ftfCfY,ìfEfCf“fhfE,Ö□A, ,é,ç,ìfEfCf“fhfE,ðfAfCfRf“,É,·,é,±,Æ,ª,Ä,«,Û,·□B



HP

DeskJetXfe□[f^fXf,fjf^fEfCf“fhfE



fvfŠf“fgf□[fgfŠfbfW,ìNfŠ□[fjf“fO



fvfŠf“fgf□[fgfŠfbfW,ìŽ²□±,í,¹



-ÚŽŸ



HP DeskJet fvfŠf“fefBf“fOfVfXfef€



fvfŠf“f^fhf%ofCfo,É,Â,ç,Ä

HP ColorSmart fvfŠf“f^fhf%ofCfo



fvfŠf“f^fhf%ofCfo,Æ,ÍAf□□[fvf□□^•\ŒvŽZf\
 ftfg,É,Ç,lfAvfŠfP□[fvf#“fvf□Of%of€
 ,©,ç□AvfŠf“f^,ÉfAfNfZfX,·,é,½,ß,lf\ftfgfEfFfA,ì,±
 ,Æ,Â,·□BfvfŠf“f^fhf
 %ofCfo,đŽg,Á,ÁColorSmart,lf|fvfVf#“□iŽ©“®□^f}fjf...
 fAf<□j□A^ó□ü•iŽ;□A^ó□ü,ìŒü,«□A—pŽ†,ìŽí—p□A,“,æ,Ñ—
 pŽ†fTfCfY,đ'I,Ó,±,Æ,ª,Ä,«,Ü,·□B

fvfŠf“f^fhf%ofCfo,ìColorSmart<Z□p,í□A•¶□',đ•ª□í,μŽ©“®“l,Éjfj
 %□□[□Y'è,đ'²□ß,·,é,±,Æ,É,æ,è□Á□,,lfjf
 %□□[•iŽ;đ'ñ<Ÿ,μ,Ü,·□BColorSmart,ìŽ©“®,Á□Á□,,ì^ó□ü•iŽ;đ'ñ<Ÿ,μ,
 Ü,·,ª□AColorSmatf_fCfAf□fOf{fbfNfX,Áf}fjf...fAf<,đ'I'đ,·,é,±
 ,Æ,É,æ,è□A,ç,Á,Á,à,»,,ì□Y'è,đf}fjf...fAf<,Á•ï□X,·,é,±,Æ,ª,Ä,«,Ü,·□B



Ž©“®,Æf}fjf...
 fAf<,ìColorSmart|fvfVf
 #f“

► ColorSmart,ìŽg—p



ColorSmartf_fCfAf□fOf{fbfNfX,Á□AŽ©“®,đ'I'đ,μ,Ü,·□B
 ColorSmart,í•¶□',É□±,í,¹,Ä“K□³,È□FŽw'è,đŽ©“®“l,É□s,ç,Ü,·□B



ColorSmartf_fCfAf□fOf
 {fbfNfX

► ColorSmart,lf}fjf...fAf<•ï□X

- 1 ColorSmartf_fCfAf□fOf{fbfNfX,Á□Af}fjf...fAf<,đ'I'đ,μ,Ü,·□B
- 2 lf|fvfVf#“f{f^f“,đ'I'đ,μ,Ü,·□B
- 3 ColorSmartlf|fvfVf#“f_fCfAf□fOf{fbfNfX,Á□Ašó-]
 ,lf□□[ftfg□□[“□A-¾,é,³□Afjf%□□[□Œä,É□Y'è,μ,Ü,·□B



ColorSmartlf|fvfVf#“
 f_fCfAf□fOf{fbfNfX





-ÚŽŸ



HP DeskJetfvfŠf“fefBf“fOfVfXfef€



fvfŠf“f^fhf%ofCfo,É,Â,č,Ä

fŠfŠ[]fXfm[]fjg



fŠfŠ[]fXfm[]fjg,í[]AfvfŠf“f^fhf
%ofCfo,ÉŠÖ,; ,é[]î•ñ,¨,æ,ŇŽü'm,ìfn[]fhhEjFfA,Æf\
ftfgfEjFfA,ì[]Ú'±[]«,ÉŠÖ,; ,é[]î•ñ,ðŠÜ,ñ,Å,č,Û,·[]B[]Ú,μ,ç[]î•ñ,É,Â,č
,Ä,í[]AHPWJREAD.TXT,ð,²—, ,³/₄,³,ç[]B



fŠfŠ[]fXfm[]fjg,Ö[]s.



 -ÜŽ

 fCfAf fOf {fbfNfX

ColorSmartf_fCfAf_fOf {fbfNfX



^óüŸ'è,ì'đ

,C,ì,æ,π

,É^óü,.,é,©,đĈ^'è,.,é,½,ß,ÉA,±

,lf_fCfAf_fOf {fbfNfX,đŽg—p,μ,Ü,·B

Ž©"®

f}fif...fAf<

fOfĈ[fXfP[f<,Ā^óü

flfvfVf‡f"

fxfXfg

fm[f}f<

fGfRfmftf@fXfg

—pŽt,ìŽí—p

—pŽtftfCfY

flfXf^f€

fXfe[f^fXfo[f

[c

%oi

^óü•"Ÿ"

^óüŸŸ~

OKf{f^f"

fLfff"fZf< f{f^f"

ffftfHf<fg f{f^f"

fwf<fv f{f^f"



ColorSmartflfvfVf‡f"f_fCfAf_fOf {fbfNfX



Ž©"®,Æf}fif...

fAf<,ìColorSmartflfvfVf‡f"





, ,ç,ä,é•¶□',É,¨,ç,Ä□A,¨,·,·,ß,ì□Ý'è,Å,·□B
,±,lf|fv|V|f|f",íColorSmart<Z□p,É,æ,è□AfQf%o|ftfB|bfNfX□A|efL|fXfg,Æ,à,É□Å—
Ç,ìfn□|ftfg□|f"□A-¾,é,³□A|ff%o□|□§CEä,ðZ © " ®,Å'í'ð,µ,Ü,·□B



f}fjf...fAf<

,±,lfjfvfVf#f",íAfof%oftfBfbfNfX AfefLfxfg,Æ,à,ÉAÅ—Ç,ìfn[ftfg[f"A-¾,é.³Aflf
%oo[[]\$Eä,ðf}fjf...fAf<,Å'í'ð,Å,«,Ü,·B,±
,ê,ð'í'ð,·,é,ÆAfjfvfVf#f"f{f^f",©,çfjfvfVf#f"fCfAfOf{fbfNfX,ðŠ},«Ý'è,ð•ïX,Å,«,Ü,·B



fOfCE[fXfP[f<,Å^óü

ffj%o[fCf[fW,ðfOfCE[fXfP[f<,Å^óü,·,é,É,í,±,ê,ð`fFbfN,μ,Ü,·BfOfCE[fXfP[f<,Å,ÍAfjf
%o[f,ðfOfCE[f,ì"Z'W,Å·\CE»,μ,Ü,·B



fxfXfg

fxfXfgf,[]fh,Å,Í[]A“h,è,Â,Ô,μ,ì[]Ùfof“fffBf“fO,à,È,[]Å[],,ì^ó[]ü•iŽ¿,ð“¾,é,±
,Æ,ª,Å,«,·[]B,μ,©,μ,È,ª,ç[]Afm[]f}f·f,[]fh,æ,è,à^ó[]üŽžŠÔ,ª,©,©,è,Ü,·[]B



fm[f]f<

'Êí•¶',É"K,μ,½^óü•iŽ¿,Å,·B,Ù,Æ,ñ,Ç,ìŽí—p,ì—pŽ†,Å•W€,ì^óü•iŽ¿,đ"¾,é,±
,Æ,ª,Å,«,Ü,·B



fGfRfmftf@[]fXfg

fhf%oofthg^óüüi%oo¼^óüüj,ì•ižì,Å,·□B,±,ìf,□[fh,Å,ífm□[f}f<f,□[fh,æ,è,í'¬,,©,Å,»,±,»,±,ì^óüü•ižì,ð"¾,ç,ê,Ü,·□B,Ü,½,±,ìf,□[fh,Å,í□AfCf"fN,ì□A"i—É,ðíCE,Å,«,Ü,·□B,±,ìf,□[fh,í□A•□'ÉŽ†,ð'l'ð,μ,½,Æ,«,ÉŽg—p,Å,«,Ü,·□B

Note: flf

%□[,ì•¶□',ð□Z□³,ì,½,β,É^óüü,·,é,É,í□AfGfRfmftf@[]fXfgf,□[fh,ÆfOfCE[]fXfP[]f<^óüü,ð'l'ð,μ,Å,,¾,¾,ç□B,±,ê,É,æ,è"ñí,É□,í'¬,É^óüü,·,é,±,Æ,ª,Å,«,Ü,·□B



c

• ¶', δc', É, μ, ½ó'Ô, Å^óü, μ, Ü, ·B



%oij

•¶□',ð%oij',É,μ,½□ó'Ô,Å^ó□ü,μ,Û,·□B

—pžt, iží—p

fvfšf“f^,ÉfZfbfg,³é,Ä,ç,é—pžt,iží—p,đ‘l’đ,μ,Ü,·□B

Note: , , éží—p, i—pžt(Ü, ½, í, » , i’¼, i”}’i), í□A, ±, ifvfšf“f^, É“K,³É, ç, ±, Æ,^a , è, Ü, ·□

BColorSmartf_fCfAf□fOf{fbfNfX, Ä‘l’đ, Ä, «, é—pžt, iží—p, i, Ý, ²Žg—p, ,³/₄,³, ç□B—pžt, iží—p, i□Ú□×, É, Ä, ç, Ä, í□Aft□[fU□[fYfKfCfh, đ,²—, ,³/₄,³, ç□B

—pŽtTfCfY

fvfŠf“f^,ÉfZfbfg,³,ê,Ä,ç,é—

pŽt,Ü,^{1/2},í^{3/4},l̄}í,lfTfCfY,ð‘l‘ð,μ,Ü,·□BColorSmartf_fCfAf□fOf{fbfNfX,Å‘l‘ð,Å,«,é—

pŽtTfCfY,ì,Ý,²Žg—p,,^{3/4},³,ç□B

ColorSmartf_fCfAf□fOf{fbfNfX,ÅfŠfXfg,³,ê,È,çfTfCfY,ì—pŽt,ðŽg,⊗□ê□‡,É,í□AŽ©—R,È—

pŽtTfCfY,ð‘è<` ,Å,«,éjJfXf^f€f{f^f“,ð‘l‘ð,μ,Ä,,^{3/4},³,ç□B



^óü•" " ,đ¼Ú"ü—Í,·,é,©,Ü,½,ÍAã%º,ì-î^ó,đ'l,ñ,Å^óü•" " ,đ'l,ñ,Å,,¾,³,çB



^óü#~

,±,lf{fbfNfX,đf`fFfbfN,·,é,±,Æ,É,æ,è^óü#~ ,đ"½'î,É,Å,«,Ü,·iÅlfy[fW,đÅ%

,É^óüjB,±

,ê,É,æ,èA^óüEä,lfy[fW,ìŽá,ç#É•À,Ñ,Ü,·B^óü#~ ,đ"½'î,É,·,é,Æ^óü'~"x,í'½'x,-
,É,è,Ü,·B

ffftfHf<fgf{f^f“

ffftfHf<fgf{f^f“,đfNfŠfbfN,·,é,Æ□Af_fCfAf□Of{fbfNfX,ì,·,x,Ä,ì□Ý'è,đffftfHf<fg,ì□Ý'è,É-β,·,·,±
,Æ,^a,Ä,«,Ü,·□B

fifvfVf#“f{f^f”

ColorSmartf_fCfAf_fOf{fbfNfX,ÅfifvfVf#“f{f^f”,ð‘l’ð,·,é,Æ□A-¾,é,³,ì□Ý’è□Afn□[ftfg□[f“,ì•ù-
@□Afff%□[□\$EäfifvfVf#“,ð‘l’ð,Å,«,Ü,·□B

Note: ColorSmartf_fCfAf_fOf{fbfNfX,ÅŽ©“®,ð‘l’ð,·,é,Æ□AfifvfVf#“f{f^f”,í-
³Eø,É,È,è□ifOfE□[,É,È,é□j□AfvfŠf“f^fhf%□fCfo,ª□A-¾,é,³□Afn□[ftfg□[f“□Afff
%□[□\$Eä,ðŽ©“®,Å□Ý’è,μ,Ü,·□B

fjfx^f€f{f^f“

fjfx^f€f{f^f“,đfNfŠfbfN,·,é,Æ□Ajjfx^f€—pŽ+ftfCfyf_fCfAf□fOf{fbfNfx,Å”C^Ó,ì—
pŽ+ftfCfy,đ□Y’è,Å,«,Û,·□B

OKf{f^f“

OKf{f^f“,đfNfŠfbfN,·,é,Æ□A,±,±,Å•İ□X,μ,½ŠeŽí,ì□Ý'è,đ•Û'¶,μ□A,±,ìf_fCfAf□fOf{fbfNfX,đ□I—
¹,μ,Û,·□B

fLfff“fZf·f{f^f“

fLfff“fZf·f{f^f“,đfNfŠfbfN,·,é,Æ□A,±,±,Å•İ□X,μ,½ŠeŽí,ì□Ý'è,đ"jŠü,μ□A,±
,İf_fCfAf□fOf{fbfNfX,đ□I—¹,μ,Ü,·□B

fwf{fvf{f^f“

fwf{fvf{f^f“,đNfŠfbfN,·,é,Æfwf{fvftf@fCf<,a—š,ž□ă,a,è,Ü,·□B

Color Kit

The optional color kit lets you print color with the HP DeskJet 600K printer. The color kit contains a color print cartridge and a print cartridge storage container.

fXfe[]f^fXfo[]

fXfe[]f^fXfo[][,Å,í[]Af_fCfAf[]Of{fbfNfX"à,ÅE»[]ÝfnfCf%ofCfg,³,ê,Ä,ç,élfvfVf#f",ìŠÈ'P,È[]à-
¾,ð'ñ<Ÿ,μ,Ù,·[]B

-ÜŽŸ

fEfCf“fhfEfY,Æf_fCfAf□fOf{fbfNfX

ColorSmartfIfvfVf†f“f_fCfAf□fOf{fbfNfX



ColorSmartfIfvfVf†f“,ì‘l’ð

ColorSmartfIfvfVf†f“f_fCfAf□fOf{fbfNfX,
ð•\

Ž!,³,¹,é,É,í□AColorSmartf_fCfAf□fOf{fbfNfX
fX,Áf}fjf...

fAf<,ð‘l,Ñ□AŽŸ,ÉfIfvfVf†f“f{f^f“,ðfNfŠfb

fN,μ,Ü,·□BColorSmartfIfvfVf†f“f_fCfAf□f
Of{fbfNfX,ðŽg,Á,ĂŠó-],·,éŠeŽí,ljf

%□[□Ý’è,ð□s,ç,Ü,·□B

-³/₄,é,³

fpf^□[f“
ŠgŽU

f{f}fbf{f}f%□[
f}fbf`fXfNfŠ□[f“

OKf{f^f“
fLfff“fZf<f{f^f“
ffftfHf<fqf{f^f“
fwf<fvf{f^f“

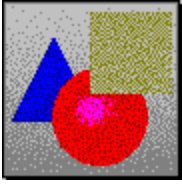
ColorSmartf_fCfAf□fOf{fbfNfX

Ž©“®,Æf}fjf...fAf<,ìColorSmartfIfvfVf†f“



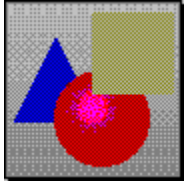
ŠgŽU

, Û, Æ, ñ, Ç, ì • ¶ □', É □ Å " K, ì □ Ý ' è, Å, · □ B, ±, ì □ Ý ' è, Å, Í □ A f C f " f N, ð f y □ [f W □ ã, É f % o f " f _ f € , É " z ' u, µ, Ü, · □ B



fpf^[]f"

,±,ìY'è,Å,í[]AfCf"fN,ðfy[]fW[]ã,Éšô%½Šw"l,É"z'u,μ,Û,·[]BŠÈ'P,ÈfOf
%oftfBfbfNfX,ðŠÛ,ñ,¾•¶[]',Å,í^óü'¬"x,ª'¬,,È,è,Û,·[]B





f}fbf`fXfNfŠ[f“

,±,lfjf

%o[[]\$CEä,Å,ÍA^óüCE<%oÊ,ðfffBfXfvfCEfC,ìF,Æ±,í,¹,Ü,·BfXfLffffifCf[]fW[]AŽÊ^[]A•;ŽG,Èf
Rf“fsf...[f^fOf%oftfBfbfNfX,È,Ç,ì,æ,ɹ,È•;ŽG,Èffj%o[fOf%oftfBfbfNfX^óü,Å,ÍA,±
,lfvfVf†f“,ð'ì'ð,μ,Ü,·B

Note: fOfCE[]fXfP[]f<^óü,Å,ÍA,±,ê,ç,lfjf%o[[]\$CEä,í-³CEø,Æ,È,è,Ü,·B

-¾,é,³

fCf“fN,ì•-□o—Ê,ð□SCEä,·,é,±,Æ,É,æ,è□A-¾,é,³,ð□Ý’è,μ,Û,·□Bf}}fEjX,ðŽg,Á,ÄfXf
%ofCf_□[□¶,É“®,©,·,Æ-¾,é,³,ifCf“fN—Ê□□j□AfXf%ofCf_□[,ð%oE,É“®,©,·,Æ”Z,-
^óü,Ä,«,Û,·□ifCf“fN—Ê’â□j□B



fn [ftfg [f“

, ±, ì ÿ è, í □ Afvf Šf“ fgj □ [fgf ŠfbfW, ©, ç, ì jff % □ [fCf“ fN, ð, ç, ì, æ, x, È • ù -
@, Å'g, Ÿ □ ‡, í, ¹, Å"z'u, ·, é, ©, ð 'l' ð, μ, Ü, · □ B

Šg ŽU, í □ AfCf“ fN, ðfy □ [fW □ ä, Éf % of“ f_f € , É"z'u, μ, Ü, · □ B • ; ŽG, ÈfOf
% of tfBfbfNfX □ AŽ É □ ^ fCf □ □ [fW □ A, ", æ, ŃfXfLfff", μ, ½ fCf □ □ [fW, É“K, μ, Ü, · □ B
fpf ^ □ [f“, í □ AfCf“ fN, ðfy □ [fW □ ä, ÉŠ ð % ½ Sw“l, É"z'u, μ, Ü, · □ B jff % □ [fefLfXfg □ AfrfWfLfXfOf
% of tfBfbfNfX, È, Ç Š È 'P, ÈfOf % of tfBfbfNfX, ð Š Ü, ñ, ¾ • ¶ □ ' , É“K, μ, Ü, · □ B

-3/4, é, 3

fCf“fN, ì•-□o—Ê, ð'²□®, μ, Ü, ·□B, æ, è-3/4, é, □A, æ, è"Z, □A, æ, è'N, â, ©, É, È, Ç, ì'²□®, ðfXf
%ofCf_ , ðŽg, Á, Ä, ", ±, È, x, ±, Æ, ð, Å, «, Ü, ·□B

fjf%o[]\$CEä

,±,±,Å,íAfrfrfbfhjf%o[],Æf}fbf`fXfNfŠ[]f“,ì“ñ,Â,ìjf%o[]\$CEä,ì•û-@,ª, ,è,Ü,·B

frfrfbfhjf%o[],Å,íA'N-¾,Å'N,â,©,È^óü,ðŽÀCE»,μ,Ü,·Bfrfrfbfhjf%o[],íA,W,Â,ìŠî-{fjf
%o[]i•A''AÖA—íAÄAfvfAf''A%©Af}f[f"f_j,ðfTf[]fg,·é'P[]f,È“h,è,Â,Ö,μ,íOf
%oftfBfbfNfX,É“K,μ,Ä,ç,Ü,·B

f}fbf`fXfNfŠ[]f“,íA^óüCE<%oÈ,ðffBfXfvfCEfC,ìF[]‡,ç,Æ^ê'v,³,¹,é,æ,‡
,É'²[]®,μ,Ü,·Bf}fbf`fXfNfŠ[]f“,Å,íAxfLfff“fCf[]fW[]AZÉ[]^AfRf“fsf...[]f^fOf
%oftfBfbfNfX,ì,æ,‡,É•;ŽG,ªfOf%oftfBfbfNfX,É“K,μ,Ä,ç,Ü,·B

Note: fOfCE[]fXfP[]f<,Å^óü,ð'ì'ð,·é,Æ[]Afff%o[]\$CEä,ìÝ'è,í-³CEø,Æ,È,è,Ü,·B

"}i

,±,lfvfšf“f^,Å,íAŠeŽí,i—pŽt,^aŽg—p,Å,«,Ü,·BŽg—p,Å,«,é—
pŽt,“,æ,Ň"}i,iúx,íAft[fU[fYfKfCfh,đ,²—,,^{3/4},³,čB

 -ÜŽŸ

 [fEfCf“fhfEfY,Æf_fCfAf□fOf{fbfNfX](#)

HP DeskJetfXfe□[f^fXf,fjf^fEfCf“fhfE



HP

DeskJetfXfe□[f^fXf,fjf^fEfBf“fhfE,íŒ»□Ÿ,ì^
ó□üfWf‡fu,ÆfvfŠf“f^,□ó’Ò,ÉSÖ,·,é□î•ň,ð•\
Ž!,μ,Û,·□B,±
,lfXfe□[f^fXf,fjf^,í□AfvfŠf“fgf□[fgfŠfbfW,lf
NfS□[fjf“fo,âZ?□‡,í,¹,È,Ç,lfvfŠf“f^,ÉSÖ,·,é□
<Æ,ð□s,x,Æ,«,È,àŽg,ç,Û,·□B

HP

DeskJetfXfe□[f^fXf,fjf^,ð<N“®,.·,é,É,í□AHP
DeskJetft□[fefBfŠfefBfvf□fOf
%of€fOf<□[fv,ìHP
DeskJetfXfe□[f^fXf,fjf^fAfCfRf“,ðf_fuf<fNfŠf
bfN,μ,Û,·□B

[fvfŠf“f^f□fjf...□\[](#)
[flfvfvf‡f“f□fjf...□\[](#)
[f□f“fefif“fXf□fjf...□\[](#)
[fefXfgf□fjf...□\[](#)
[fwf<fvf□fjf...□\[](#)

[fvfŠf“f^fXfe□\[f^fXf{fbfNfX](#)

[fLfff“fZf<f{f^f“](#)



[HP DeskJetfXfe□\[f^fXf,fjf^,É,Â,ç,Ä](#)

fvfŠf“f^f□fjf...□[

fvfŠf“f^f□fjf...□[,í□APC,É□Ú'±,³,ê,Ä,ç,é,·,×,Ä,ìDeskJetfvfŠf“f^,ðfŠfXfg,μ,Ü,·□B

flfvfVf#f“f[]fj...[]

,±,lf|fvfVf#f“f[]fj...[][,Í[]AHP DeskJetfXfe[]f^fXf,fjf^,ì•\Ž![]ðCE[],ð[]Ý'è,μ,½,è[]ACEx[] []%°¹,lf|f“f|ft,ð[]Ý'è,μ,½,è,Å,«,Ü,·[]B

í,É•\Ž! ,±,è,ðf`fffbfN,·,é,Æ[]AHP DeskJetfXfe[]f^fXf,fjf^,ð[]í,É•\Ž!,μ,Ü,·[]B

^ó[]üŽž,ì,Ý•\Ž! ,±,è,ðf`fffbfN,·,é,Æ[]A^ó[]üŽž,ì,ÝHP DeskJetfXfe[]f^fXf,fjf^,ð•\Ž!,μ,Ü,·[]B

%°¹[]°,É,æ,éCEx[] ,±,è,ðf`fffbfN,·,é,Æ[]A^ó[]üŽž,ÉfGf%°[][,^”- []¶,μ,½,Æ,«[]ACEx[] []%°¹,ð”[]¶,μ,Ü,·[]B

f[]f“f[]fj“fXf[]fj...[]

f[]f“f[]fj“fXf[]fj...[][,É,Í^è%°°,ì<@”\,ª, ,è,Ü,·[]B

İBØYÄ¶°ÄØ~¼¶,ì,Ø°ÆY,¶ fvfŠf“fgfj[]f[]fgfŠfbfW,lfNfŠ[]fj“fO,ð,μ,Ü,·[]B^ó[] ü•iŽi,ª^á %°°,μ,½,è[]Afwf<fvf[]fbfZ[]fW,ÅfNfŠ[]fj“fO,ð, ·,·,ß,ç,è,½[]ê[]¶,ÉŽÄŽ{,μ,Å,,¾,¾,¾,ç[]B

İBØYÄ¶°ÄØ~¼¶,ìŽ²[]¶,í,¹ fjf %°°[][,Æ[]•,lfvfŠf“fgfj[]f[]fgfŠfbfW,ìŽ²[]¶,í,¹,ð,μ,Ü, ·[]BfvfŠf“fgfj[]f[]fgfŠfbfW,ðCEðŠ·,Ü,½,ÍŽæ,è•t,¯, μ'¼,μ,½[]ê[]¶A,Ü,½,lfwf<fvf[]fbfZ[]fW,ÅŽ²[]¶,í,¹,ð,·,·,ß,ç,è,½[]ê[]¶,ÉŽÄŽ{,μ,Å,,¾,¾,¾,ç[]B

f[]fXfgf[]fj...[]

f[]fXfgf[]fj...[][,É,Í^è%°°,ì<@”\,ª, ,è,Ü,·[]B

fZf<ftf[]fXfg,ì^ó[]ü fZf<ftf[]fXfg,ð^ó[]ü,μ,Ü,·[]BfvfŠf“f^,ì”@[],ÆfP[] [fuf<,ì[]Ü'±,ªSm”F,Å,«,Ü,·[]B

°Yì”_¶Ü°¼@Y,ì•\Ž! fvfŠf“f^,lfRf“ftfBfOfCE[]fVf#f“[]î•ñ[]i[]Ý'è[]î•ñ[] j,ð•\Ž!,μ,Ü,·[]B

fwf<fvf[]fj...[]

fwf<fvf[]fj...[][,É,Í^è%°°,ì[]€-Ü,ª, ,è,Ü,·[]B

-ÜŽY HP DeskJetfXfe[]f^fXf,fjf^,ìŽg,ç•ù,ð•\ Ž!,μ,Ü,·[]B

HP DeskJetfXfe[]f^fXf,fjf^,ìŽg,ç•ù HP DeskJetfXfe[]f^fXf,fjf^,ì^è”È”ì,È[]î•ñ,É,Å,ç ,Å•\Ž!,μ,Ü,·[]B

HP DeskJet,É,Å,ç,Ä HP DeskJetfXfe[]f^fXf,fjf^,lf[]o[]fWf#f“ ,” ,æ,Ñ”~ []ìCE ,É,Å,ç,Ä•\Ž!,μ,Ü,·[]B

fvfŠf“f^ fXfe[]f^fXf{fbfNfX

,±,lf|f{fbfNfX,Å,Í[]ACE»[]Ý,lfvfŠf“f^,lfXfe[]f^fX,É,Å,ç,Ä•\Ž!,μ,Ü,·[]B

fLfff“fZf·f{f^f”

CE»Ÿ,í^óüfWfufu,đ'†Ž~,·,é,Æ,«,ÉŽg—p,μ,Û,·B

-ÚŽŸ

Å“K,ÉfvfŠf“f^,ìŸ'è

^óü«”\,ìŸüã

fvfŠf“f^,ì^óü'—“x, ,æ,Ñ'S'ì,ì^óü«”\,í^È%º,ì—v'f,É,æ,è
%ºe<¿,ðŽÓ, ,Ü, ·B

PC,ìRAM,ì—e—É,É,æ,è•Ÿ' ,áfvfŠf“f^,Ö'—
,ç,è,é'—“x,ðŸ^'è,µ,Ü, ·BPC,ìRAM,ì—e—É,ð' ,â, ,Æ,±
,ì'—“x,á' , ,Æ,Æ,à,É^óü'†,É'¼,ìŽdŽ-,ð, ,é,Æ,«,ÉPC,á,æ,èŸø—
'ì,É“ @ì, ,é,æ,æ,É,É,è,Ü, ·B

fvfŠf“f^fhf%ofCfo,É,æ,è^óü•iŽ¿,á'â,«,ŸŸ%ºE,³,è,Ü, ·BŽg—
p,µ,Ä,ç,éfvfŠf“f^,É'í%ºž,µ,½fvfŠf“f^fhf%ofCfo,ìÅV”Ä,ðŽg—
p,µ,Ä,ç,é,±,Æ,ðŠm”F,µ,Ä,-
,¾,³,çBWindows,ìfRf“fgf[f<fpfìf<,ìfvfŠf“f^fAfCfRf”,ðf_fuf<fNfŠfbfN,
µA'g,Ÿüž,Ü,è,½fvfŠf“f^,ìfŠXfg, ©,çSY"—, ,éfvfŠf“f^,ð'ì'ð,µ,Ü, ·BŽg—
—p,µ,Ä,ç,éfhf
%ofCfo,ìfo[fWf†“,ðŠm”F, ,é,É,íAŸ'è,ðfNfŠfbfN,µ,Ü, ·BColorSmartf
_fCfAfŸOf{fbfNfX,ìf^fcfgf<fo[.ì't,Éfo[fWf†“,á\Žì,³,è,Ü, ·B

•Ÿ' ,ì'â,«,³,Æ•iŽG,³,ì^óü«”\,É%ºe<¿,µ,Ü, ·BfOf
%ºftfbfbfNfX,ì•Ÿ' ,ìA'ÉífefLfXfg,¾, ,ì•Ÿ' ,æ,è^óü,á'x,,È,è,Ü, ·B

PC,ì—'—“x,É,æ,èA•Ÿ' ,áfvfŠf“f^,Ö'—
,ç,è,é'—“x,áŸ^ ,Ü,è,Ü, ·B—
á,ì,ìfyf“fefBfAf€fvfŸZfbfT“<ü,ìPC,ì486fvfŸZfbfT“<ü,ì,à,ì,æ,è'—“x,
á'—,,È,è,Ü, ·B

“~Žž,É'½”,ìŸ
ftfgfEjFfA,ðŽÅs, ,é,Æ^óüžžŠÖ,á, ©, ©,è,Ü, ·B,±
,è,ìfAfvfŠfP[fVf†“,áPC,ìRAM,ðA”ì,µ,Ä,ç,é,½,ß,Å, ·B^è“x,ÉŠJ,-
fAfvfŠfP[fVf†“,á•Ÿ' ,ì”,ðŸŸCEÀ,µ,Ä,,¾,³,çB

fXfNfŠ[f“ftfHf“fg,ìRAM,É•Ü'Ÿ,³,è,Ü, ·B,±
,è,É,æ,èfŸf,Š,ðA”ì,µ,Ä,ç,é,ì,ÅA, ,Ü,èŽg,í,É,çXfNfŠ[f“ftfHf“fg,áfv
fŠf“f^ftfHf“fg,ìíœ,µ,Ä,,¾,³,çB



[-ÚŽŸ](#)



["Á"K,ÈfvfŠf"f^,ìY'è](#)

fvfŠf"f^fhf%ofCfo,ìfAfbfvff[]fg



fqf...[]fCfbfgfpfbj[]fh,íA•s'èŠú,È,^a,çfvfŠf"f^fhf
%ofCfo,ìfo[]fWf#f"fAfbfv,ðŽĂŽ{,μ,Ä," ,è,Ü,·B,±
,ê,ç,ìfo[]fWf#f"fAfbfv,É,íA•s<i[]#,ìC³,^{3/4},¯,Ä,È,[]A<@"\,ð'Ç
%oÄ,³,¹,^{1/2},à,ìAfpftfH[]f}f"fx,ðCEü[]ã,³,¹,^{1/2},à,ì,Æ,È,é,±,Æ,^a, ,è,Ü,·[]
B[]Ä[]VfvfŠf"f^fhf%ofCfo,ì"üŽè•û-@,ìA-
{fvfŠf"f^,ìft[]fU[]fYfKfCfh,ð,²—,.,^{3/4},³,ç[]B





-ÚŽŸ



Å“K,ÉfvfŠf“f^,ìŸ'è

fGfRfmftf@[fXfgf,[fh,ìŽg—p



fGfRfmftf@[fXfgf,[fh,ífhf%oftfg•iŽž,ì^óü,ðs,ç,Ü,·B,±
,lf,[fh,Å,íAfm[f}f<f,[fh,âxfXfgf,[fh,æ,è,à^óü'—“x,â'—,-
,É,è,Ü,·B,Ü,½,±,lf,[fh,ðŽg,æ,ÆfCf“fN,ìŽg—p—É,â,É,,É,è,Ü,·B
fGfRfmftf@[fXfgf,[fh,íA•'ÉŽž,ðŽg—p,·,é,Æ,«,ì,Ý—LCEø,Å,·B

Note: fJf%o[,ì•Ÿ' ,Åfhf%oftfg^óü,ðs,æ
,Æ,«,íAfGfRfmftf@[fXfgf,[fh,ð'l'ð,µAufOfCE[fXfP[f<
,Å^óüv,ðf`fFbfN,µ,Å,,¾,¾,çBfJf
%o[,ì'ä,í,è,ÉfOfCE[fXfP[f<,ðŽg,æ,Æfhf%oftfg,ì^óü,â'—,-
,É,è,Ü,·B





-ÚŽŸ



Å“K,ÉfvfŠf“f^,ìŸ’è

Ž © “ ® ,Æf}fjf...fAf<,ìColorSmartf|fvfVf#f“



ColorSmartf_fCfAf□fOf{fbfNfX,ìf}fjf...fAf<f|fvfVf#f“,ð’l’ð,·,é,±,Æ,É,æ,è□Afn□[ftfg□[f“□A-¾,é,³□A,“,æ,Ñfjf %o□[□\$CEä,ìŠe□Ÿ’è,ª,Å,«,Ü,·□B

Ž © “ ®

,·,x,Ä,ì•¶□,É’í,μ,“,·,·,β,·,é□Ÿ’è,Å,·□B,±,ìf|fvfVf#f“,íColorSmart<Z□p,É,æ,è□AfefLfxfg□AfOf %oftfBfbfNfX,Æ,à,É□Afn□[ftfg□[f“□A-¾,é,³□A,“,æ,Ñfjf %o□[□\$CEä,ðŽ © “ ®“l,É□Å“K,É□Ÿ’è,μ,Ü,·□B



Ž © “ ® ,ÅColorSmart,ðŸ’è,·,é□B



ColorSmartf_fCfAf□fOf{fbfNfX,ÅŽ © “ ®,ð’l’ð,·,é□B



ColorSmartf_fCfAf□fOf{fbfNfX

f}fjf...fAf<

,±,ìf|fvfVf#f“,ð’l’ð,·,é,Æ□AfefLfxfg□AfOf %oftfBfbfNfX,Æ,à,É□Afn□[ftfg□[f“□A-¾,é,³□A,“,æ,Ñfjf %o□[□\$CEä,ìŸ’è,ª}fjf...fAf<,Å,“,±,È,ì,Ü,·□B



f}fjf...fAf<,ÅColorSmart,ìŸ’è,ð,“,±,È,ª□B

1 ColorSmartf_fCfAf□fOf{fbfNfX,Åf}fjf...fAf<,ð’l’ð,μ,Ü,·□B

2

f|fvfVf#f“f{f^f“,ð’l,ñ,ÅColorSmartf|fvfVf#f“f_fCfAf□fOf{fbfNfX,ð•Žì,³,¹,Ü,·□B

3 Žg—p,·,éfCf“fN,ì—Ê,ð²□β,·,é□ê□□A-¾,é,,·,é,É,Í-¾,é,³□Ÿ’è,ìfxf%ofCf_□[,ð□¶,É(fCf“fN—Ê□)□A“Z,□i^Å,□j,·,é,É,í %oE,É(fCf“fN—Ê’â)“® , ©, μ, Ü, ·□B

4 fn□[ftfg□[f“,Å,í□Afpf^□[f“, ,é,ç,íŠgŽÜ ,ð’l’ð,μ,Ü,·□B

5 fjf%o□[□\$CEä,Å,í□Afrfrfbfhfjf%o□[□A, ,é,ç,ìf}fbf_fXfNfŠ□[f“,ð’l’ð,μ,Ü,·□B



ColorSmartf|fvfVf#f“f_fCfAf□fOf{fbfNfXf{fbfNfX





-ÚŽŸ



Å“K,ÈfvfŠf“f^,ìŸ'è

fjf%oo[^ óü,Æf,fmfNf ^ óü



HP DeskJet850CfvfŠf“f^,íAfvf%oo[^ óü,æ%Å“\
,ÈfAfvfŠfP[fVf#“ ,ðŽg—p,μ,Å,ç,éèè#Af,fmfNf,Å,àfjf
%oo[,Å,à^óü,·,é,±,Æ,ª,Å,«,Ü,·B

fjf%oo[,Å^óü,·,é,É,íAfvfŠfP[fVf#“ ,ì^óüf_fCfAfOf{fbfNfX,Åfjf
%oo[^ óü,ð'ì'ð,μ,Ü,·BWindows,©,çColorSmartfvfŠf“f^fhf
%ofCfo,ð'ì'ð,μ,Å,,¾,¾,¾,çB

fjf%oo[,ì^óü·iŽž,íA,SŽí,ìfCf“fNifuf
%ofbfNfAfVfAf“AfCfGfAf}f{f“f^,ð^óü,·,éfy[fW,É,Ç,ì,æ,x
,É”z'u,·,é,©,É,æ,è,Ü,·BHP DeskJet
850CfvfŠf“f^,íAColorSmart<Zp,É,æ,è•¶' ,ð•¶í,μAÅ—Ç,ìfjf
%oo[[]o—í,ð,,±,È,ç,Ü,·B

fjf%oo[,ì•¶' ,ì,ðfOfCE[fXfP[f<,Å^óü,·,é,±
,Æ,É,æ,èAZŽŠÔ,ÆfCf“fN,ðß-ñ,·,é,±
,Æ,ª,Å,«,Ü,·BfOfCE[fXfP[f<^óü,É,·,é,ÆAfjf
%oo[,ì”Z'W,ªfOfCE[ì”Z'W,Å•\CE»,¾,è,Ü,·Bfjf
%oo[,ì•¶' ,ðfOfCE[fXfP[f<,Å^óü,·,é,É,íAColorSmart,ìf_fCfAfOf{
fbfNfX,ÅfOfCE[fXfP[f<,Å^óüf`fFfbfNf{fbfNfX,ðf`fFfbfN,μ,Ü,·B



ColorSmartfVfVf#“
f_fCfAfOf{fbfNfX



HP
ColorSmartfvfŠf“f^fhf
%ofCfo

 -ÚŽŸ

 ŠeŽí—pŽt,ì'í'ò

OHPftfBf<f€,ì^ó□ü



OHPftfBf<f€,ì^ó□ü,É,È,Ž,æ,è^μ,ç,ª•K—
v,Å,·□BColorSmartf_fCfAf□fOf{fbfNfX,Å,ì□Ý'è,É,æ,è□A^ó□ü•iŽ,ª•Ī,í,
è,Û,·□B





OHPftfBf<f€,ì^ó□ü

1 HPfvfCEf~fAf€OHPftfBf<f€,ìfUf%ofUf%o,μ,½-É,ð
%oo,É□Afe□[fv,ì, ,é•ù,ð□æ,É,μ,ÅfgfCEfC,ÉfZfbfg,μ,Û,·□B

HPfvfCEf~fAf€OHPftfBf<f€,ì□A,±,ìHP DeskJetfvfŠf“f^—p,ÉŠJ”-
,³,è,½,à,ì,Å,·□B

2 ColorSmartf_fCfAf□fOf{fbfNfX,ðŠJ,ç,Ä^È%oo,ì□Ý'è,ð□s,Á,Ä,-
,¾,³,ç□B

 —pŽt,ìfZfbfg


ColorSmartf_fCfAf□fOf
{fbfNfX



Ž©“®,ð'í'ð,μ,Û,·□B



^ó□ü•iŽ,ìfxfXfg,ð'í'ð,μ,Û,·□B



^ó□ü,ìCEü,«,É,Å,ç,Ä□A□c,Û,½,Í%oo,ì,ð'í'ð,μ,Û,·□B



^ó□ü•“□”,ðf^fCfv,·,é,©□ã%oo,ì-î^ó,ðfNfŠfbfN,μ,Û,·□B



□Å□f□[fW,©,ç^ó□ü,·,é,É,ì^ó□ü□~f`fFfbfNf{fbfNfX,ðf`fFfbfN,μ,Û,·
□B^ó□ü,ª□i,í,é,Æ□Å%oo,ìf□[fW,ª□æ“ª,É,È,è,Û,·□B



—pŽt,ìŽí—pfvf_f_fEf“fŠfXfg,ÅOHPftfBf<f€,ð'í'ð,μ,Û,·□B




—pŽtftfCfYfvf_f_fEf“fŠfXfg,ÅA4,Û,½,ÍfCEf^□[,ð'í'ð,μ,Û,·□B

3 OKf{f^f“,ð'í'ð,μ,Û,·□B

fvfŠf“f^,ìOHPftfBf<f€,ð□o—í,·,é-
^,ÉŽ©“®“ì,ÉŠf‘fŽŽŠÖ,ð,Æ,è,Û,·□B^ó□ü,ð'±
, ,é,É,ìfvfŠf“f^,ì'O-É,ìfCEfWf...□[fef{f^f“ □,ð%oÿ,μ,Û,·□B

□Å—ç,ìfj%oo□[^ó□ü,ì•iŽ,ð•Û,Å,É,ì□AftfBf<f€
,ð^ó□üCEã10□`15•ªSÖ,“,ç,Ä,©,ç•ÛCEì'Û,É“ü,è,é,æ,π,É,μ,Ä,-
,¾,³,ç□B□•ªSf‘f,³,¹,è,Í%oo~,è,à'p□F,ª“ð, ,ç,è,Û,·□B


HPfvfCEf~fAf€□è—
pŽt,ì^ó□ü



☐ -ÚŽŸ

☐ Šeží—pžt,ì'ì'ò

••“>,ì^óü

☐

<<ŽtfgfCfC,É^è“x,ÉfZfbfg,Ä,«é••“>,í15-†,Ü,Ä,Ä,·□B,Ü,½□AZè□,μ—pžtftfB□[f_,ðžg,Á,Ä□i<<ŽtfgfCfC,©,ç—pžt,ðžæ,è□œ,©,É,ç,Ä□j••“>,ð1-†—,é,±,Æ,ª,Ä,«,Ü,·□B

Žè□,μ—pžtftfB□[f_žg—pžž□A••“>,Æ—pžt,ÉœðCÉY,É^óü,·,é,±,Æ,ª,Ä,«,Ü,·□B,±,ì<@“\,ì•□'ÉŽt,Æ••“>,ð'±,·,Ä^óü,·,é,Æ,«,É-ð,É—š,ì,Ü,·□B

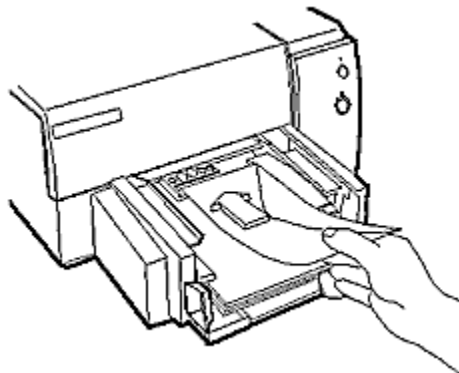
Note: □Ä—ç,ì^óü•ižì,ð“¾,é,Æ,Æ,à,É□Afy□[fpftfB□[fhf□□[f%o,É••“>,ð<l,Ü,ç,¹,É,ç,½,ß,É,í□Aft□[fU□[fyfKfCfh,É<L□Ú,³,é,Ä,ç,é—pžtCÉú,ì••“>,ðžg—p,μ,Ä,,¾,³,ç□B

☐ flfXf^f€ftfCfY—pžt,ì^óü

☐ Žè□,μ—pžtftfB□[f_,ðžg,Á,Ä••“>,ð^óü,·,é□B

- 1 Žè□,μ—pžtftfB□[f_,ð□¶
%oE,É^Ú“®,³,¹□A••“>,ì•□,É□¶,í,¹,Ü,·□B
- 2 ••“>,ðžè□,μ—pžtftfB□[f_,lfXf□fbfg,É□A^óü-É,ð%oº,É,μ,Ä“É,«“-½,é,Ü,Ä□,μ□ž,Ý,Ü,·□B

☐ —pžt,lfZfbfg

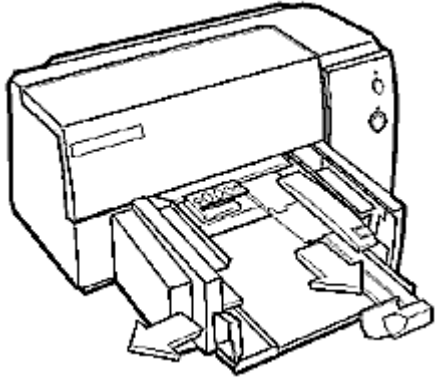


- 3 •K—v,É%ž,¶,Äžè□,μ—pžtftfB□[f_,ð□Ä,Ñ^Ú“®,³,¹□A••“>,ì%oE'[,ª<<ŽtfgfCfC,ì%oE'¤,É,»è,¤,æ,¤,É²□®,μ,Ü,·□B

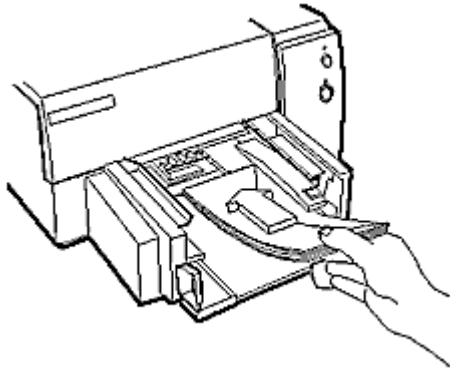
- 4 fvšf“f^fhf%ofCfo,ì^óü□Y'è,ð□A••“>,ìžì—p□AftfCfY□A^óü•ûCÉü,É□¶,í,¹,Ü,·□Bžè□,μ—pžtftfB□[f_,ð%oE,Ü,½,í□¶,É“®,©,μ,Ä□A••“>,ì•□,É□¶,í,¹,Ü,·□B

☐ <<ŽtfgfCfC,ðžg,Á,Ä••“>,ð^óü,·,é□B

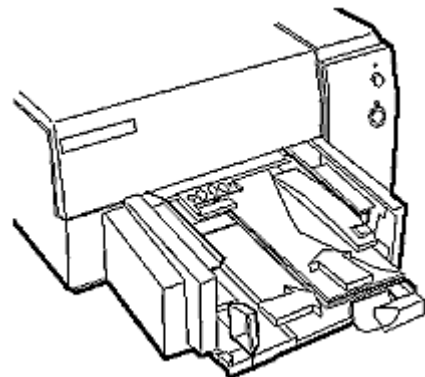
- 1 —pžt•□²□®fCfo□[,ð^Ú“®,³,¹□A^è“ÔŠO'¤,Ü,Åšg,º,Ü,·□B



- 2 —pŽt', 3'2 @fCefo [, δ ^ ø , « □ o , μ □ A « Ž t f g f C e f C , © , ç , , x , Ä , l — p Ž t , δ Ž æ , è □ œ , « , Ü , · □ B
- 3 □ Å ' å 15 - † , Ü , Å , l • • " > , δ Ž æ , è □ o , μ □ A • • " > , l ' Z • Ó , δ • ½ , ç , È - Ê , l □ ä , É — š , Ä , Ä C y , , ½ , ½ , « □ A , æ , ' μ , l , Ü , · □ B
- 4 « Ž t f g f C e f C , É • • " > , δ ^ ¶ - ¼ , l - Ê , δ % ° E , μ , Ä □ i , Ó , ½ , l • " • a , δ □ ä , É , μ , Ä □ j , É ' u , « , Ü , · □ B



- 5 • • " > , l □ Ü , è - Ü , l , , é , Ó , ½ , l ' [, a « Ž t f g f C e f C , l % ° E ' α , É , » , è , Ä , Ä , ç , é , ± , Æ , δ š m " F , μ , Ü , · □ B
- 6 —pŽt' • ' 2 □ @fCefo [, δ □ A • • " > , l □ ¶ ' [, Æ ^ ê ' v , , , é , Ü , Å % ° E , Ó , , , ç , μ , · □ B



- 7 —pŽt', 3'2 @fCefo [, δ • • " > , l • û , Ö □ A Ž ~ , Ü , é , Ü , Å % ° Ÿ , μ □ ž , Ý , Ü , · □ B

••“>,ª<<ŽtfgfCEfC,ì't,Å”g,đ,α,Á,Ä,ç,È,ç,±,Æ,đŠm”F,μ,Û,·□B

- 8 ColorSmartf_fCfAf□fOf{fbfNfX,Å□A—pŽt,ìŽí—p,Æ—
pŽtTfCfY,đ□AfvfŠf“f^,ÉCE»□ÝfZfbfg,³,è,Ä,ç
,é••“>,ìfTfCfY,É□Ý'è,μ,Û,·□B





-ÚŽŸ



Šeží—pŽt,ì'í'ö

fjfx^f€ftfcfy—pŽt,ì^óü



fjfx^f€ftfcfy—pŽt,ì^óü
p,μ,½,çftfcfy,Æ,í,É,çêçAColorSmartf_cfAfOf{fbfNfX,©,çŽ
©—R,Éftfcfy,ð'è<^,;é,±,Æ,Ä,«,Ü,·B



—pŽt,ìZfbfg



••“>,ì^óü

HP DeskJet850Cfvfšf^,ì<<ŽtfgfCfC,É,íA—pŽt',Æ—
pŽt',ðŠÉ'P,É'²@,Ä,«,éfcfo[, ,è,Ü,·B—
pŽt',ì100mm² 216mmA—pŽt',ì148mm² 356mm,ì'í'í,Ä,·B

Note: A—ç,ì^óü•iŽ,ð³⁄⁴,é,Æ,Æ,à,ÉA<<Žtff%o,ìŽt<l,Ü,è,ð-
h,®,½,ßAŽŸ,ìd,³,ì—pŽt,ðŽg—p,;é,±,Æ,ð,;,;ß,μ,Ü,·B



•ÉŽtF60` 135 g/•½•ûf[fgf<



•@>F75` 90 g/•½•ûf[fgf<



f[hF110` 200 g/•½•ûf[fgf<



fjfx^f€ftfcfy,ì—pŽt,ì^óü

1 ColorSmartf_cfAfOf{fbfNfX,Äfjfx^f€f{f^f“,ð'í'ð,μ,Ü,·B

fjfx^f€—pŽtftfcfyf_cfAfOf{fbfNfX,æ>,é,Ü,·B

2 ³,μ,ç'P^Êif[fgf<^fCf“f`j,²'í'ð,³,é,Ä,ç,é,±
,Æ,ðSm“F,μ,Ä,,³⁄⁴,³,çB

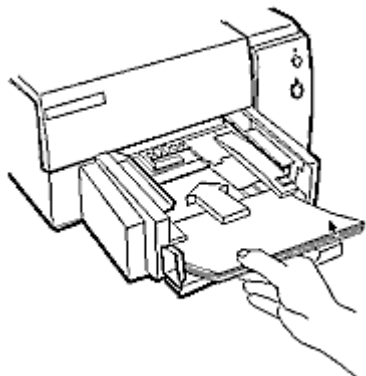
3 —pŽtftfcfy,ì%º,É, ,éA•,Æ',³,ìftfB[f<fh,ÉŽg—p,;é—
pŽt,ì•,Æ',³,ð“ü—í,μ,Ä,,³⁄⁴,³,çB

4 OK,ðfNfšfbfN,μ,Ü,·B

5 —pŽt'•fcfo[,Æ—pŽt',³²@fcfo[,ð,ç,Á,Ì,ç
,Ü,ÄŠg,º,Ü,·B



6 <<ŽtfgfCfC,ì%ºE'x,É%º^,x,æ,x,É—
pŽt,ð19mm,ð',ì,É,ç,³,ì'í'í,ÄA^óü-Ê,ð%º,É,μ“È,«—
,½,é,Ü,Ä}“ü,μ,Ü,·B



7 —pŽt,ì'[,É,«,ì,ñ,ÆftfBfbfg,·,é,æ,ɹ,É□A'·,³,¨,æ,Ñ•□,ì—
pŽt'²□@fCEfo□[,đ□Ý'è,μ,Û,·□B

8 ^ó□ü,ì□€"ö,³□@,Á,½,ç□AfAvfšfP□[fVf†f“,ìftf@fCf<f□fjf...
□[,ì^ó□üf_fCfAf□fOf{fbfNfX,©,ç□AZg—p,·,é—pŽt,ìŽí—
P□AfTfCfY□A^ó□ü,ìCEü,«,È,Ç,đ□Ý'è,μ,Û,·□B

—pŽtftfCfY,ì□Ú□×,É,Â,ç,Ä,Í□Aft□[fU□[fyf}fjf...fAf<,đŽQ□Æ,μ,Ä,-
,¾,³,ç□B





-ÜŽŸ



ŠeŽí—pŽt,ì'í'ð

HPfvfĈf~fAf€□ê—pŽt,ì^ó□ü



•Ÿ□,ì-Ú“l,Æ—v<□•iŽž,É,æ,è□A^ó□ü,ÉŽg—p,·,é—pŽt,ìŽí—
 p,ªĈE^,Ü,è,Ü,·□BColorSmartf_fCfAf□fOf{fbfNfX,Å'í,ñ,¾—pŽt,ìŽí—
 p,ª□AfvfŠf“f^,ÉfZfbfg,μ,½—pŽt,É□‡,Á,Ä,ç,é,±,Æ,ðSm“F,μ,Ä,-
 ,¾,³,ç□BfvfŠf“f^fhf%ofCfo,í'í'ð,μ,½”}‘ì,ìŽí—
 p,É□‡,í,¹,Äfy□[fW,É^ó□ü,·,éfcf“fN,ðfRf“fgf□[f<,μ,Ü,·□BColorSmartf_f
 CfAf□fOf{fbfNfX,Å'í'ð,μ,½—pŽt,ìŽí—
 p,Æ^Ü,É,é□ê□‡,É,í□A^ó□ü•iŽž,ª'á%o,μ,Ü,·□B



—pŽt,ìfZfbfg



—pŽt,ìŽí—p,ð'í'ð,·,é□B

1 ColorSmartf_fCfAf□fOf{fbfNfX,ðŠJ,ç,Ä□A—pŽt,ìŽí—
 p,ìfŠXfgf{fbfNfX,Å%oĈEü,«,ì-î^ó,ðfNfŠfbfN,μŽg—p%oÅ“\,È—
 pŽt,ìŽí—p,ð•\Ží,³,¹,Ü,·□B



ColorSmartf_fCfAf□fOf{fbfNfX

,,é,ç,í

TABfL□[,ð%oŸ,μ,Ä—pŽt,ìŽí—pŠfXfgf{fbfNfX,ðfnfCf
 %ofCfg,³,¹□AALT(GRPH)+%oĈEü,«-î^ó,ð%oŸ,μ□A—pŽt,ìŽí—
 p,ð•\Ží,³,¹,Ü,·□B

2 ^ó□ü,ÉŽg—p,·,é—pŽt,ìŽí—p,ðfNfŠfbfN,μ,Ü,·□B

,,é,ç,í

-î^ófL□[,ð%oŸ,μ,ÄE»Ÿ,ì^ó□üfWf†fu,É□‡,ª—pŽt,ìŽí—p,ðfnfCf
 %ofCfg,³,¹,Ü,·□B

•□'ÉŽt - f{f“fhŽt□Afrfs□[—pŽt□A,í,ª,«□A,“,æ,Ñ••“>

HP OHPftfBf·f€ - □ê—pOHPftfBf·f€,Ö,ìfjf

%o□[,Ü,½,ìf,fmfNf□^ó□ü—p□B2-
 ‡^É□ã^ó□ü,·,é□ê□‡□AfvfŠf“f^,í,P-‡^ó□ü,·,é,²,Æ,Éfcf“fN,ðŠf
 ,©,¹,é,½,β,É□”•ªSÓ'Ö,ž,Ü,·□B

HP OHPftfBf·f€(f|□[fY□SĈEä•t,«) -

Ž¼“x,ª□,,ç□ê□‡□AftfBf·f€□ã,ìfCf“fN,ìŠf,«,í'x,-
 ,È,è,Ü,·□BfvfŠf“f^,í,P-
 ‡^ó□ü,·,é,²,Æ,É'âž~ ,μ,Ü,·□B^ó□ü,ð□ÄŠJ,·,é'O,É”rŽtfgfĈfC,©,
 çftfBf·f€,ðŽæ,è□o,μ,Ä,-
 ,¾,³,ç□B^ó□ü,ð□ÄŠJ,·,é,É,ìf_fCfAf□fOf{fbfNfX,ìOKf{f^f“,ðfNf
 ŠfbfN,μ,Ä,,¾,³,ç□B

HPĈEö'òŽt - fjf%o□[,ì□o—í,É“K,μ,½□ê—pĈEö'òŽt□B2-

‡^É□ã^ó□ü,·,é□ê□‡□AfvfŠf“f^,í,P-‡^ó□ü,·,é,²,Æ,Éfcf“fN,ðŠf
 ,©,¹,é,½,β,É□”•ªSÓ'Ö,ž,Ü,·□B

HPĈEö'òŽt(f|□[fY□SĈEä•t,«) -

Ž¼“x,ª□,,ç□ê□‡□ACEö'òŽt,ìfCf“fN,ìŠf,«,í'x,-
 ,È,è,Ü,·□BfvfŠf“f^,í,P-
 ‡^ó□ü,·,é,²,Æ,É'âž~ ,μ,Ü,·□B^ó□üfWf†fu,ð□ÄŠJ,·,é'O,ÉfvfŠf“f^
 ,ì”rŽtfgfĈfC,©,ç—pŽt,ðŽæ,è□o,μ,Ä,-
 ,¾,³,ç□B^ó□ü,ð□ÄŠJ,·,é,É,ìf_fCfAf□fOf{fbfNfX,ìOKf{f^f“,ðfNf

ŠbfN,μ,Ä,,³/₄,³,ç□B

HPfvfCEf~fAf€fCf“fNfWfFfbfg□ê—pŽt -
□,•iŽ;f,fmfNf□,Ů,¹/₂,Íjff%□[□o—í—p,Å,·□B





[-ÚŽŸ](#)



[Šeží—pžt,ì'í'ð](#)

fOfCE[fXfP[f<^óü



fjf%o[.ì•¶' ,ìhf%oftfg"Å,ðfOfCE[fXfP[f< ,Å^óü, .,é,±
,Æ,É,æ,èŽŽŠŌ,ÆfCf"fn,ìÁ"i,ªCEyCE, ,Å,« ,Ü, ·BfOfCE[fXfP[f< ,Å,ìfC
f[fW^— ,Å,ìAfjf%o[,ì"Z"x,ªfOfCE[,ì"Z'W,Å•\CE»,³,è,Ü, ·B



fOfCE[fXfP[f< ,Å•¶' ,ð^óü, .,éB



ColorSmartf_fCfAfOf{fbfNfX,ÅAufOfCE[fXfP[f< ,Å^óüv,ìf`fFfbf
Nf{fbfNfX,ð'í'ðif`fFfbfNj,µ,Ü, ·B



ColorSmartf_fCfAfOf
{fbfNfX





-ÚŽŸ



Šeží—pžt,ì'í'ð

fjf%oo[] ^ ó [] ü



í•ň,đfrfWf...fAf<,É•\Œ»;,é[]ê[]#[]Afjf
%oo[],í<—í,Éfc[]f<,Æ,É,è,Û,·[]Bfjf%oo[],ðŒø
%ooÉ“l,ÉŽg—
p,·,é,í[]A^ó[]ü•“,ÉfCf“fppfNfg,ð—
^,;[]ACE©,é[]l,É<>—j,ð^ø,«[]o,μ[]ACE©,½—
Ú,à—Ç,[]Afvf[]•À,Ý,ìŒø%ooÉ,ð—^,;l,é,±
,Æ,ª,Â,«,Û,·[]B



ColorSmart<Z[]p,Æ,í[]H



,ç,Â,Ç,±,Âfjf%oo[],ðŽg,ª



fjf%oo[],ì'l,Ñ•û



-ÚŽŸ



Šeží—pžt,ì'í'ð



fjf%o□[^ó□ü

ColorSmart<Z□p,Æ,Í□H



HP,ìColorSmart<Z□p,É,æ,è□,•iž; ,ìjff
%o□[•¶□',ªŠÈ'P,É^ó□ü,Å,« ,Ü,·□BColorSmart,Í•¶□',ðž©“® ,Å•ª□í,μ□A
^ó□ü,·,é,Æ,« ,É□Å□, ,ì•iž; ,ª“¾,ç,è,é,æ,ª,Éjff
%o□[,ì□Ý'è,ðž©“®“ì,É,“ ,±,È,ç,Ü,·□B

ColorSmart<Z□p,í□A•¶□',ªfRf“fsf...□[f^ ,© ,çfvfŠf“f^ ,Ö'—
,ç,è,é□Üf□f,fS□ä,ì•¶□',ðfXfLfff“ ,μ,Ü,·□B,» ,ìCE<%oÉfy□[fW,ì,ç,ì•“•ª ,ª
□AfefLfXfg, ©□Afjf%o□[,ìCE©□o,μ, ©□A'P□f,ÉfOf
%oftfBfbfNfX, ©□AfXfLfffi,É,æ,éžÈ□^fCf□□[fW, ©□A,È,ç,ðCE^ ,ß'í□Ü,ì
Ží•É,ðCE^'è,μ,Ü,·□BColorSmart,ìŽŸ,É□AfvfŠf“f^ ,ìjff%o□[f}fbfv,ìf
%ofCfuf%ofŠ□[,ð'T,μ□A,» ,è,¼,è,ì'í□Ü,É%ož,¶,½□Å“K,Éjff
%o□[f}fbfv,ð'ì,Ñ,Ü,·□B

fjf
%o□[•¶□',ðfOfCE□[fXfP□[f< ,Å^ó□ü,·,é□è□±□AColorSmart<Z□p,í□Å“K,Èf
n□[ftfg□[f“ ,Æ-¾,é,¾,ðCE^ ,ß□AfOfCE□[,ì“Z'W,Åfjf%o□[,ð•\CE»,μ,Ü,·□B



ColorSmart,ìžg,ç•û□B



ColorSmartf_fCfAf□fOf{fbfNfX,Åž©“® ,ð'í'ð,μ,Ü,·□B
ColorSmart,í□A•¶□',É□±,í,¹,Å□Å“K,Éjff

%o□[□Ý'è,ðž©“®“ì,É,“ ,±,È,ç,Ü,·□B
ColorSmartf_fCfAf□fOf{fbfNfX,Å□Af}fjf...fAf<flfvfVf†f“ ,ð'í'ð,·,é,î□A,ç
,Å,Å,àColorSmart,ìž©“®□Ý'è,ª'†ž~ ,·,é,±,Æ,ª ,Å,« ,Ü,·□B



HP

ColorSmartfvfŠf“f^fhf
%ofCfo



ColorSmartf_fCfAf□fOf
{fbfNfX



ž©“®,Æf}fjf...
fAf<,ìColorSmartflfvfVf
†f“



-ÚŽŸ



Šeží—pžt,ì'í'ð



fjff%oo□[ˆó□ü

,ç,Â,Ç,±,Åfjff%oo□[,ðŽg,α,©



fjff%oo□[,ðŒø%ooÉ“l,ÉŽg—p,·,è,Î□A□d—v,Éŋî•ñ,ðfnfCf
%ofCfg,^{3,1,1/2},è□A<'2,μ,1/2,è,·,é,±,Æ,ª,Å,«,Û,·□Bfjff%oo□[,ðŒë,Á,Äžg—
p,·,é,ÆŒ©,é□l,ì<C,ð,»ç,¹Ä,μ,Û,ç,Û,·□B,±,lfKfCfhf
%ofCf““ðŽQ□Æ,ì,α,ì□Aˆó□ü•““ðfjff%oo□[,Ä<'2,μ,Ä,Ý,Ä,ª,3/4,³,ç□B



fjff%oo□[,ì□à-¾,ìžè'ì,Ä,·,è□A□ü,é,1/2,β,ì,à,ì,Ä,ì,·,è,Û,¹ñ□B
1/2,¾□ü,é,¾,·,ì,1/2,β,Éfjff%oo□[,ð'1/2—p,·,é,Æ□A,»lŒø
%ooÉ,ðž,·,ç,©,É,Û,¹ñ□B
—á□F□'Ž®,ì•“ª,ð•\,·,ì,É□ü,âf{fbfNfX,ì'ã,ì,è,Éfjff
%oo□[,ì“wŒi,ðžg,α,ÆŒø%ooÉ“l,Ä,·□B



fjff%oo□[,ì'l,Ñ•û



Šú'Ò,ðžì,·,fpf^□[f“,Éfjff%oo□[,ðžg,ç,Û,·□B
^è“x“□^è,ì,·,é•\Œ»•û-@,ð,Æ,Ä,1/2,È,ç,ì,»è,ð'±,·,Ä,-
¾,¾,³ç□B,à,μ,»è,©,çŠO,è,é,Æ,«l□A,1/2,¾<'2,ì,1/2,β,¾,·,É—·,β,Ä,-
¾,¾,³,ç□B
—á□F•\,ì't,Ä,ì□¬Œv,ð<'2,·,é,ì,É,·,é,Éfjff%oo□[,ðžg,ç□A'□□†Œv,ð<-
'2,·,é,ì,É•É,ìfjff%oo□[,ðžg,α,ÆŒø%ooÉ“l,Ä,·□B



—pž—,ì□€-Û,âšT“O,ðfOf<□[fv%oo»μ,1/2,è□A'ŠŒY,ìŠŒŒW,ð•\
μ,1/2,è,·,é,ì,Éfjff%oo□[,ðžg,ç,Û,·□B
·,à,μfjff%oo□[,Æ,»l^Œ-i,ÉŠŒ~A,Ä,·,1/2,ç,È,ç,Î□A□□“l,ìfjff
%oo□[,ð'□^Œ□[,ì,ñ,Äžg—p,μ,Ä,¾,¾,³,ç□B
—á□F3□`4žì,ìžã—
v,ÉfgfsfbfN,ðšÛ,bfvfŒf[f“fe□[fvf†f“,Ä,ì□A□V,μ,çfgfsfbfN,Œ^Û,é,Æ,«
Œ©□o,μ,ìfjff%oo□[,ð•ì,ì,é,ÆŒø%ooÉ“l,Ä,·□B



□•É%oo»·,é,1/2,β,Éfjff%oo□[,ðžg,ç,Û,·□B
^è,Ä,ìfCf□□[fw,ì't,Ä^Û,È,é—v'f,ð<æ•É,·,é,É,ì•j□“l,ìfjff
%oo□[,ðžg,ç□A,³ç,ÉŒ©,â,·,³ð
%ooü'P,·,é,1/2,β,É,ìfCf□□[fw,ìftfCfy,ð'ã,«,,μ,Û,·□B
—á□F,·,é^è,Ä,ì-fOf%oft,ÉšÛ,Û,è,é•j□“l,ìfjff
%oo□[ff□[f^,ð□A'1/4,ì•j□“l,-fOf%oft,ìŋî•ñ,ÆŠŒ~A,Ä,·,é,±
,Æ,ª,Ä,«Û,·□B,Û,1/2,ì%o~fOf%oft,ì,·,é•“ª,ð<-
'2,·,é□è†□A,»ì•“ª,ì,Ý,É□F,ð•t,·,Û,·□B



fjff%oo□[,ð'1/2,žg,ç,·,¬,È,ç,æ,α,É,μ,Û,·□B
fjff%oo□[,ðžg,ç,·,¬,È,ç,æ,α,É,·,é,±
,Æ,É,æ,è□AZg,Ä,1/2□è†,ìfCf“fpfNfg,ð'ã,«,,Ä,«Û,·□B
—á□F'n□},ì't,Ä'n□}'S'ì,Éfjff%oo□[,ðžg,α
,æ,è,à□AšŒŒS,ðž□,1/2,1'□^Œ,ð^ø,«Ä,·,1/2,ç•“ª,ì,Ý,Éfjff
%oo□[,ðžg,α•û,ª,æ,èŒø%ooÉ“l,Ä,·□B





-ÚŽŸ



ŠeŽí—pŽt,ì'í'ð



fjf%oo□[ˆó□ü

fjf%oo□[,ì'í'ð



ˆó□ü,É“K□Ø,Èfjf%oo□[,ð'í,Ô,É,í□A fJf
%oo□[,ì'ŠCEYSÖCEW,É,Â,ç,Ä,ÌŠî-{'mŽ- ,ª•K—v,Â,·□B□FŠÂ□i
%ooE□}ŽQ□Æ□j,í□F,ì'g,Ý□‡,í,¹,ð,æ,Ü,, ,±,É,æ,½,ß,É-ð,É—
š,ž,Ü,·□B



•¶□',ð“□ˆê,·,é,É,í□FŠÂ,©,ç,P,Â,ì□F'Š,ð'í,Ñ,Ü,·□BfJfWf...
fA f<,ÉCEø%ooÉ,ð“¾,é,É,í□A'í,ñ,¾□F,ì-¾ˆÂ,ð•í%oo» ,³,¹,Ü,·□B



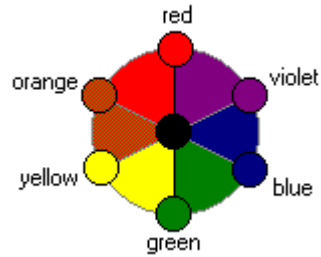
□FŠÂ,ìCEÝ,ç,É<ß,ç,Q,Â,ì□F'Š,ð'í,Ô,±
,Æ,É,æ,è□A□Â,Æ—î,È,Ç,ì,æ,æ,É'²~a,ð□¶,Ý□o,·,±
,Æ,ª,Â,«,Ü,·□B



fRf“fgf%ofXfg,ð□¶,Ý□o,·,½,ß,É,í□A□FŠÂ,ÂCEÝ,ç,É—f
,ê,½fjf%oo□[,ð'í,Ñ,Ü,·□B—á,ì,í□Ô,Æ%oo©□A—
î,ÆŽ‡,É,Ç,Â,·□B,³,ç,É“wCEi,É,íˆÃ□F□A'OEi,É,í-¾□F,ðŽg—
p,µ,Ü,·□B



□Ô,Æ—î,ì,æ,æ,É□FŠÂ,Â'í□ìˆê'u,É, ,éfjf%oo□[,ðŽg,æ
,ì,í, , , ,ß,µ,Ü,¹,ñ□B,µ,©,µ,±,ê,ç,ìˆê'g,ì•â□F,ì“Z“x,ð•í
%oo» ,³,¹□ACEø%ooÉ,ð□,ß,é,Æ,ç,æ•û-@,à, ,è,Ü,·□B



□F'S

fff%o□[□i□F□Ê□j,Ü,½,í□F□Ê,ìfOf%off□[fVf#f",đ,³,μ,Û,·□Bfff%o□[,í□A□Ô□A—î□A□Â,È,Ç,ì□F'S,ì-
¼'O,ÅÆÄ,Î,ê,Û,·□B

-ÚŽŸ

-pŽt,ÆfvfŠf“fgfj□[fgfŠfbfW,iŽg-p-@

—pŽt,iZfbfg

HP DeskJet850CfvfŠf“f^,í•□'ÉŽt,“,æ,Ñ,»,ì'¼,ì" }'ì,É^óü,·,é,±,Æ,ª,Å,«,Ü,·□B

<<ŽtfgfCfC,É—pŽt,ð'Ç%oÁ,·,é,Æ,«,í□A<<ŽtfgfCfC,©,ç,·,x,Ä,ì—pŽt,ðZæ,è□o,μ□A“~Ží,ì—pŽt,ì□V,μ,ç'©,Æ^è□□,É,μ,Ü,·□B—pŽt,ì'©,ð•½,ç,É-É,É—š,Ä,Ä'©,ð,»,è,ì,Ü,·□B<<ŽtfgfCfC,É,í^è“x,É—pŽt□A,ì,ª,«□AOHPftfBf·f€É,ç19mmCÉú,Ü,Ä□A••“>,í15-†,Ü,ÄfZfbfg,·,é,±,Æ,ª,Å,«,Ü,·□B

,P-†,¾,~^óü,μ,½,ç□è□†,É,í□A<<ŽtfgfCfC,©,ç,Ü,½,íŽè□,μ—pŽtftfB□[f_,©,ç^óü,·,é,±,Æ,ª,Å,«,Ü,·□B

<<ŽtfgfCfC,É—pŽt,“,æ,Ñ,»,ì'¼,ì" }'ì,ðfZfbfg,·,é□B

1

Žt•□²□@fCfo□[,ð□¶'[,ÉŠň,¹□AZt'·,³²□@fCfo□[,ð^ø,«□o,μ,Ü,·□B

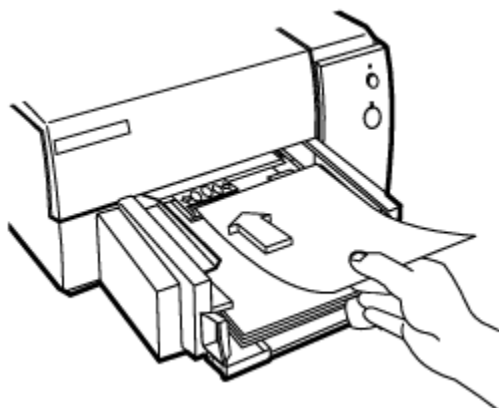
2 19mmCÉú,Ü,Ä,ì—pŽt,ì'©,ð^óü-É,ð%o,É,μ,Ä<<ŽtfgfCfC,É“É,«“-½,é,Ü,Ä“ü,è,Ü,·□B

3 Žt'·,³²□@fCfo□[,ð%Ÿ,μ□ž,Ý,Ü,·□B,±,ì,Æ,«—pŽt,ª<<ŽtfgfCfC,ì†,Ä,½,í,ň,Ä,ç,É,ç,±,Æ,ðŠm“F,μ,Ä,,¾,¾,ç□B

Žè□,μ—pŽtftfB□[f_,ðŽg-p,μ,Ä—pŽt,“,æ,Ñ,»,ì'¼,ì" }'ì,ðfZfbfg,·,é□B

1 fZfbfg,·,é—pŽt,ì•□,É□†,í,¹,Ä□AZè□,μ—pŽtftfB□[f_,ð□¶'□%oE,É^U“®□,μ,Ü,·□B

2 Žè□,μ—pŽtftfB□[f_,ìfXf□fbfg,É□A—pŽt,ð^óü-É,ð%o,É,μ,Ä“É,«“-½,é,Ü,Ä□,μ□ž,Ý,Ü,·□B



flfXf^f€ftfCfY—pŽt,ì^óü

••“>,ì^óü

HPfvfCf~fAf€□è—pŽt,ì^óü

OHPftfBf·f€,ì^óü

3 <<ŽtfgfCEfC,ì%oE'α,É—pŽt,ì%oE'[,^a,»»,ë,α,æ,α,É□AŽè□·,μ—
pŽtftfB□[f_,đ'²□β,μ,Ü,·□B

4 fvfŠf“f^fhf%ofCfo,Â□A—pŽt,ìŽí—
p□AftfCfY□A•ûCEü,δ□Y'è,μ,Ü,·□B





-ÜŽŸ



-pŽt,ÆfvfŠf“fgfj□[fgfŠfbfW,iŽg-p-@

fvfŠf“fgfj□[fgfŠfbfW,iŽæ,è•t,-



HP DeskJet850CfvfŠf“f^,É,Í□•,Æfjf
%□[,ìfvfŠf“fgfj□[fgfŠfbfW,ª•t’@,µ,Ä,ç,Ü,·□B,±,ê,ç,ÍÆðŠ·,à,µ,-
,ìfNfŠ□[fjf“fO,ª•K-v,É,È,é,Ü,Ä□(ŽžŽæ,è•t,-,½,Ü,Ü,É,µ,Ü,·□B



fvfŠf“fgfj□[fgfŠfbfW,iŽæ,èŠO,µ

1 “dCE¹f{f^f” □,ð%Ÿ,µ,Ä“dCE¹,ðfif“,É,µ,Ü,·□B

“dCE¹f%of“fv □,ª“_““,µ,Ü,·□B

2

fvfŠf“f^,ìfgfbfvfjfo□[,ðŠ],-Ü,·□B

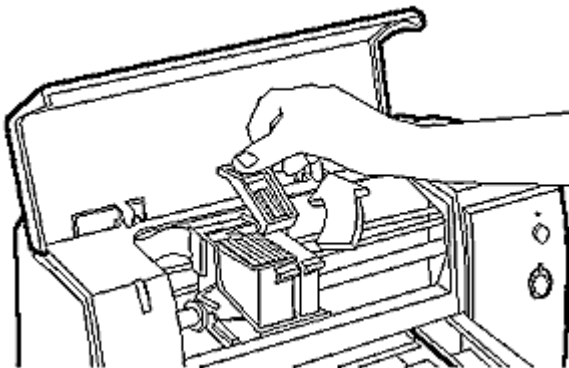
fvfŠf“fgfj□[fgfŠfbfWfzf<f_ªfvfŠf“f^,ì’+%Ÿ>,Ö^Ú“@,µ□AfŠfWf...

□[f€f%of“fv □,ª“_Ä,µ,Ü,·□B

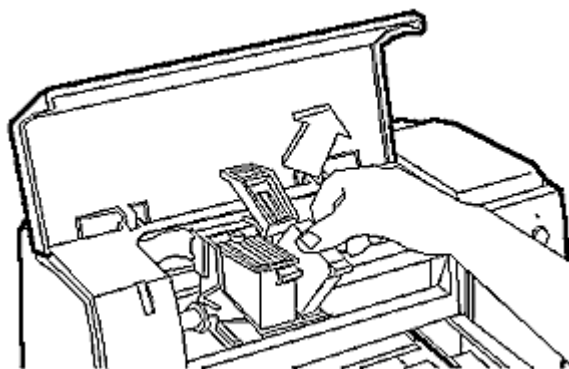
3 fvfŠf“fgfj□[fgfŠfbfW,ì—

-,ß<à,ð^ø,«□ã,°□AfvfŠf“fgfj□[fgfŠfbfW,ì“ª•”,ð,Ä,©,ñ,Ä□AZè‘O

,É^ø,,ÆfvfŠf“fgfj□[fgfŠfbfW,ª,à,é,Y,Ü,·□B



4 fvfŠf“fgfj□[fgfŠfbfW,ðfzf<f_©,çŽæ,è□o,µ,Ü,·□B



5

fvfŠf“fgfj□[fgfŠfbfW,ª<ó,É,È,Ä,Ä,ç,½,ç”pŠü,µ,Ü,·□B



fvfŠf“fgfj□[fgfŠfbfW,iŽæ,è•t,-

1 “dCE¹f{f^f” □,ð%Ÿ,µ,Ä□AfvfŠf“f^,ì“dCE¹,ðfif“,É,µ,Ü,·□B

2 "dCE1f%of"fv [] ,a" "" ,μ,Ü, ·□B
 fvŠf" f^ ,lfjbfvjffo [,ðSj, ~,Ü, ·□B
 fvŠf"fgj [lfjŠfbfWfzf<f_ ,afvŠf" f^ ,ì'+%oo> ,É^Ú" © ,μ□AfŠfWf...

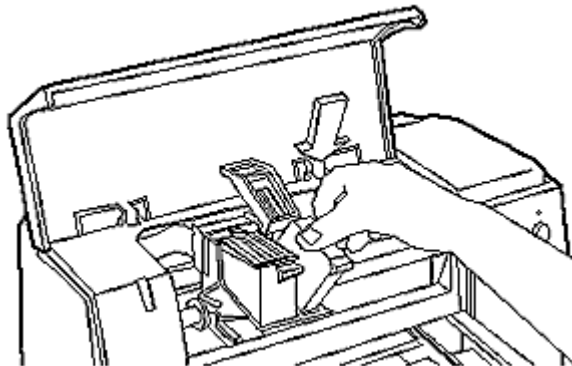
3 [f€f%of"fv [] ,a" -Å,μ,Ü, ·□B
 fvŠf"fgj [lfjŠfbfW—p— ~ ,ß<à,ð,Q,Â,Æ,àŠO,μ,Ü, ·□B
 []

4 fvŠf"fgj [lfjŠfbfW,ð•ì'•" ,©,çŽæ,è□o,μ□AfCf" fNfmfYf< ,ð•ç
 ,A,Å,ç,éfe [fv,ð□Å, © ,É"□ ,a,μ,Ü, ·□B

Note: fCf" fNfmfYf< ,â<à' © ,ì□Ú" _ ,É, í□G,ê,È,ç,Å, ,¾,¾, ç□B

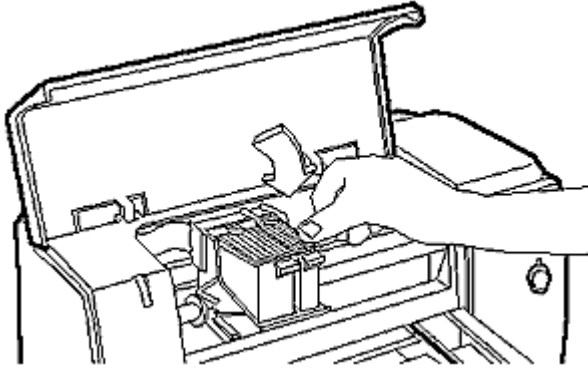


5 fvŠf"fgj [lfjŠfbfW,ðfzf<f_ ,É%oÿ,μ□ž,Ý,Ü, ·□B



6 fvŠf"fgj [lfjŠfbfW,ì—
 ~ ,ß<à,ð, ~ ,ë,μ,Åfj [lfjŠfbfW,ðCEÅ'è,μ,Ü, ·□B

Note: fvŠf"fgj [lfjŠfbfW,ì— ~ ,ß<à, a,Q,Â,Æ, àf□fbfN, ¾,ê,Ä,ç
 ,é,±,Æ,ðSm" F,μ,Ü, ·□B



7 fvfŠf“f^,lfgfbfvfjfo[.ð•Â,¶,Ü,·□B
 fvfŠf“fgfj□[fgfŠfbfWfzf<f_ª□ufz□[f€□vfj|fWfVf#f“,É-
 ß,è□AfŠfWf...□[f€f%of“fv □,ª□Á,¡,Ü,·□B

Note:

,Q,Â,lfvfŠf“fgfj□[fgfŠfbfW,ì,Ç,¿,ç,©,ªfCf“fN□Ø,é,É,È,Á,½□ê
 □#□A<ó,lfvfŠf“fgfj□[fgfŠfbfW,ðÇðŠ·,µ,Ü,·□B□V,µ,çfvfŠf“fgf
 j□[fgfŠfbfW,ª,É,ç
 ,Æ,«,í□A<ó,lfvfŠf“fgfj□[fgfŠfbfW,ðŽæ,è•t,¯,½,Ü,Û,É,µ,Ä,¨,
 ç,Ä,,¾,¾,¾,ç□B,±,ê,í,þ,«□o,µ,Æ,È,Á,Ä,ç,é“d<É,ì%~ ,ê,ð-
 hŽ~,·,é,½,ß,Å,·□B



fvfŠf“fgfj□[fgfŠfbfW,ì
Z²□±,í,¹





-ÚŽŸ



-pžt,ÆfvfŠf“fgfj[]lfgfŠfbfW,ìž²[]ž,í,¹


fvfŠf“fgfj[]lfgfŠfbfW,ìž²[]ž,í,¹



,ç,.,ê,©,ìfvfŠf“fgfj[]lfgfŠfbfW,ðĀđŠ,μ,½,è[]V,μ,-
fZfbfg,μ,½,è,μ,½,Æ,«,ì[]AfvfŠf“fgfj[]lfgfŠfbfW,ìž²[]ž,í,¹,ª•K—
v,Ä,·[]B,±,ê,É,æ,è[]•,Æfjff%o[]l,ìfCf“fN,ª[]AfeLfXfg,ì“~,¶f
%ofCf“,â[]A“~,¶fOf%oftfBfbfN“à,Ä[]A~A'±[]«,ð,à,Ä,Ä^ê'v,·,é,æ,x
,É[]³,μ,^ó[]ü,³,ê,Ü,·[]BfvfŠf“fgfj[]lfgfŠfbfW,ìž²[]ž,í,¹,É,æ,è[]Afff
%o[]l,Æ[]•,ìfCf“fN,ð[]-,',é,±,Æ,ª[]l,É,,É,è[]A[]•,Æfjff
%o[]l,ìfCf“fN,Æ,ìŠÖ,ìfXfy[]lfx,ð,ª[]-,³,,Ä,«,Ü,·[]B



fvfŠf“fgfj[]lfgfŠfbfW,ìž²[]ž,í,¹

- 1 fvfŠf“f^,ì“dĀ¹,ªfjff“,Ä, ,è[]A“dĀ¹f%of“fv  ,ª“_“““,μ,Ä,ç,é,±,Æ,ðŠm“F,μ,Ä,,¾,¾,ç[]B
- 2 HP DeskJetf[]l[feFbFšfefBfvf[]fOf%of€fOf<[]lfv,ìHP DeskJetfXfe[]l[f^fXf,fjff^fAfCfRf“,ðf_fuf<fNfŠfbfN,μ,Ü,·[]B
- 3 f[]f“fefjff“fXf[]fjff...
[]l,©,çfvfŠf“fgfj[]lfgfŠfbfW,ìž²[]ž,í,¹,ð'l'ð,μ,Ü,·[]B
fvfŠf“f^,ì[]A,Q,Ä,ìž²[]ž,í,¹fjff^[]lff“,ð^ó[]ü,μ,Ü,·[]B
- 4 %oæ-É,ìžwž!,É[]
,Ä,ÄfvfŠf“fgfj[]lfgfŠfbfW,ìž²[]ž,í,¹,ìĀ<%oÉ,ð“ü—í,μ,Ä,,¾,¾,ç[]B





-ÚŽŸ



-pŽt,ÆfvfŠf“fgfj[]fgrŠfbfW,ižg-p-@

fvfŠf“fgfj[]fgrŠfbfW,iNfŠ[]fjf“fO



^óü,μ,½fefLxf,âfOf%ftfBfbfNfX,ìü,âfhfbfg,a”2,~,Ä,ç
,½,çfvfŠf“fgfj[]fgrŠfbfW,iNfŠ[]fjf“fO,ð,“,±,É,Ä,Ä,-
,¾,¾,ç[]BfvfŠf“fgfj[]fgrŠfbfW,iNfŠ[]fjf“fO,í[]AWindows,iHP
DeskJetfXfe[]f^fXf,fjf^,Ü,½,ìfvfŠf“f^‘O-É,ìf{f^f“,ðŽg,Ä,Ä,“,±,É,æ,
,±,Æ,ä,Ä,«,Ü,·[]B

Note: fvfŠf“fgfj[]fgrŠfbfW,iNfŠ[]fjf“fO,í[]A•K-v,È,Æ,«,ì,Ý,“,±
,É,Ä,Ä,,¾,¾,ç[]BfvfŠf“fgfj[]fgrŠfbfW,ižŽ{,í[]Afcf“fN,ð[]Á-
Ö,·,é,ì,ÄfvfŠf“fgfj[]fgrŠfbfW,ižö-½,ð[]k,ß,é,±
,Æ,É,È,è,Ü,·[]B



HP

DeskJetfXfe[]f^fXf,fjf^,©,çfvfŠf“fgfj[]fgrŠfbfW,ðNfŠ[]fjf“fO
,·,é•û-@[]B

- 1 HP DeskJetf[]f^fBfŠfefBfvf[]fOf%of€fOf<[]fV,iHP
DeskJetfXfe[]f^fXf,fjf^fAfCfRf“,ðf_fuf<fNfŠfbfN,μ,Ü,·[]B
HP DeskJetfXfe[]f^fXf,fjf^,ä•žì,¾,è,Ü,·[]B
- 2 f[]f“fefif“fXf[]fj...
[]l,©,çfvfŠf“fgfj[]fgrŠfbfW,iNfŠ[]fjf“fO,ð‘l‘ð,μ,Ü,·[]B
- 3 •žì,¾,è,½f_fCfAf[]fOf{fbfNfX,Ä•\ -
ÉfNfŠ[]fjf“fO,ðfNfŠfbfN,μ,Ü,·[]B
,Pfy[]fW,ì^óü,ä[]s,í,è[]AfNfŠ[]fjf“fO,ä[]³[]í,É[]s,í,è,½,±
,Æ,ðŽì,μ,Ü,·[]B%æ-É,ižwŽì,É[]],Ä,ÄfNfŠ[]fjf“fO,ð[]l-
1,¾,¾,Ü,·[]B







HP

DeskJetfXfe[]f^fXf,fjf^,
^,É,Ä,ç,Ä



fvfŠf“f^,ìf{f^f“,ðŽg,Ä,ÄfvfŠf“fgfj[]fgrŠfbfW,iNfŠ[]fjf“fO,ð

,“,±,É,æ•û-@[]B

- 1 fvfŠf“f^,ì“dCE¹,äfif“,ìó‘Ö,É,Ä[]A“dCE¹f{f^f“ ,ð%ÿ,μ‘±
,~,Ü,·[]B
- 2 “dCE¹f{f^f“ ,ð%ÿ,μ,È,ä,ç[]AfŠfWf...[]f€f{f^f“ ,ð,V
%ñ%ÿ,μ,Ü,·[]B
- 3 “dCE¹f{f^f“ ,ð•ú,μ,Ü,·[]B





-ÚŽŸ



^óü,É-â'è,ª, ,é,Æ,«

□«”\,ìŠm”F



^È%º,ìf□“fefjf“fX,ðŽÀŽ{,·,é,±
,Æ,É,æ,è□AfvfŠf“f^,ìó‘Ö,ðŠm”F,μ,½,è□AfpftfH□[f}f“fX,ð
%oñ•œ,³,¹,½,è,·,é,±,Æ,ª,Ä,«,Û,·□B

fvfŠf“f^,ìfZf<ftfefXfg

□@fvfŠf“f^,ìfZf<ftfefXfg,ð□s,ç□AfvfŠf“f^,ª□³,μ,<@”\,μ,Ä,ç,é,©,Ç,κ
,©□Afp□[fuf<,ìU'±,ª□³,μ,,Ä,«,Ä,ç,é,©,Ç,κ,©,ð`fFfbfN,μ,Û,·□B

fvfŠf“fgfj□[fgfŠfbfW,ìfNfŠ□[fjf“fO

□@^óü•iŽ;ì'á%º,ª-U—
š,Ä,½,è□Afwf<fvf□fbfZ□[fW,ÄfNfŠ□[fjf“fO,ìŽwŽ!,ª, ,Ä,½,è,μ,½,Æ,«,Í
□AfvfŠf“fgfj□[fgfŠfbfW,ìfNfŠ□[fjf“fO,ðŽÀŽ{,μ,Ä,,¾,³,ç□B

fvfŠf“fgfj□[fgfŠfbfW,ìŽ²□‡,í,¹

□@,ç
,,é,©,ìfvfŠf“fgfj□[fgfŠfbfW,ðœðŠ·,μ,½,è□AfZfbfg,μ'¼,μ,½,è,μ,½,
Æ,«□A, ,é,ç,ìfwf<fvf□fbfZ□[fW,ÄŽ²□‡,í,¹,ìŽwŽ!,ª, ,Ä,½,Æ,«,Í□AfvfŠf“
fgfj□[fgfŠfbfW,ìŽ²□‡,í,¹,ð,¨,±,È,Ä,Ä,,¾,³,ç□B





-ÚŽŸ



^óü,É-â`è,â, ,é,Æ,«

fvfŠf“f^,ìf{f^f“ ,Æf%of“fv,ìŠm”F



fvfŠf“f^,ìf{f^f“ ,Æf
 %of“fv,ìfvfŠf“f^,ÉŠÖ,.,éí•ñ,ð“` ,!,Ü,·BfvfŠf“f^,â^óü,Ä,«,éó’Ô,É,
 È,é,Æ“dCE1f%of“fv ,â“ “” ,μfŠfWf...[f€f%of“fv
 ,íÁ,!,Ü,·B,o,b,âff[f^,ðfvfŠf“f^,Ö’—,Ä,Ä,ç
 ,é,Æ,«A,“,æ,ÑfvfŠf“f^,â^óü,μ,Ä,ç,é,Æ,«A“dCE1f%of“fv ,â“ _-
 Ä,μAfŠfWf...[f€f%of“fv ,íÁ,!,Ä,ç,Ü,·BfvfŠf“f^,â
 %o½,ç,©,ì‘€[!,ð•K—v,Æ,μ,Ä,ç,é,Æ,«A, ,é,ç,ìfvfŠf“f^,ÉfGf%o[,â”-
 ¶,μ,½,Æ,«,íAfŠfWf...[f€f%of“fv ,â“ _-Ä, ,é,©—¼•û,ìf
 %of“fv,âCEðCEŸ,É” _-Ä,μ,Ü,·B
 —pŽt,âfvfŠf“f^,ÉfZfbfg,³,è,Ä,ç
 ,Ä,âfvfŠf“f^,â^óü,μ,È,çê†,íAfvfŠf“f^,ì“dCE1f%of“fv
 ,ÆfŠfWf...[f€f%of“fv ,ìó’Ô,ðCE©,Ä,,¾,¾,çB,à,μ“dCE1f%of“fv
 ,âÁ,!,Ä,ç,é,È,ç,íA“dCE1fXfCfbf` ,ð
 %oŸ,μ,ÄfvfŠf“f^,ðfj“ ,É,μ,Ä,,¾,¾,çB
 ,»,é,Ä,â^óü,Ä,«,È, -,è,íAfvfŠf“f^,ìft[fU[fYf}fjf...fAf<,ìfgf
 %ofuf<fvf...[fg,ì€,,ð,“Ç,Ÿ,,¾,¾,çB,ç,è,ç,è,ÉfGf
 %o[,ìó’Ô,â<Lq,³,è,Ä,ç,Ü,·B



fvfŠf“f^,ìf{f^f“ ,Æf
%of“fv





-ÚŽŸ



^óü,É-â'è,â, ,é,Æ,«

HP, ìfTf|□[fg, ð“³/₄, é, É, Í



, à, µfvfŠf“f^, ðŽg, Á, Ä, ç, é, Æ, «, É-â'è, ^a<N, ±
 , Á, ¹/₂, É, ç, Í□AfvfŠf“f^, ìft□[fU□[fYf}fjf...
 fAf<, ìfgf%ofuf<fVf...□[fg, ì€²—, -
 , ³/₄, ³, ç□B, »^a, é, Ä, à-â'è, ^a
 %oðCE^, Ä, «, É, ç□é□#□AHP, Í“d~bfTf|
 □[fg, ð, í, ¶, ß, Æ, µ, Ä□AŠeŽí, ìfTf|
 □[fgfT□[frfX, ð'ň<Ÿ, µ, Ä, , è, Û, ·□B

fT□[frfX, ì“à—e, É, Ä, ç
 , Á, ìfvfŠf“f^, ìft□[fU□[fYf}fjf...fAf<, ð²—, -
 , ³/₄, ³, ç□B



fvfŠf“f^—pŽt□Ø,ê

fvfŠf“f^,ì—pŽt,^a,È,,È,è,Ü,μ,½□B—pŽt,ì<ÿ<<•û-@,í□AfvfŠf“f^,ìfgfbfvjffo□[,ì“à‘α,ìf%ofxf<,ð,²—
,È,È,Á,Ä,ç,½,¾,,©,Ü,½,í□AfvfŠf“f^•t’®,ìft□[fU□[fyfKfCfh,ð,²—,,¾,³,ç□B

—pŽt,ðfvfŠf“f^,ÉfZfbfg,μ,½,ç□AfvfŠf“f^,ìfÇfWf...□[f€f{f^f“,ð%oÿ,μ,Ä,,¾,³,ç□B^óü,ð’±,¯,é,±
,Æ,^a,Å,«,Ü,·□B

Žt<l,Ü,è

fvfŠf“f^,ì—pŽt<l,Ü,è,“□¶,μ,Ü,μ,½□B^È%º,ìŽè□‡,É,μ,½,ª,Á,Ä<l,Ü,Á,½—pŽt,ðŽæ,è□œ,‡,Ä,-
,¾,³,‡□B

1. fgfbfvfjfo□[,ðŠ],¯,Ü,·□B
2. fvfŠf“f^,ìfœfwf...□[f€f{f^f“,ð%ÿ,μ,½,Ü,Ü,É,μ,Ü,·□B—pŽt,ª^è•ùœü,É‘—,‡,è,Ü,·□B
3. fvfŠf“f^,ìfœfwf...□[f€f{f^f“,ð•ú,μ,Ä,©,‡□Ä,Ñ□A“¯f{f^f“,ð%ÿ,μ,½,Ü,Ü,É,μ,Ü,·□B—
pŽt,ª□æ,Ü,‡,Æ,í”½’í•ùœü,É‘—,‡,è,Ü,·□B—
pŽt,ªŽæ,è□œ,¯,é,Ü,Á^È□ã,ì‘€□ì,ðœJ,è•Ô,μ,Ü,·□B
4. •K—v,É%ž,¶,ÄfgfœfC,ðŽæ,èŠO,μ,Ü,·□B^ø,Á,©,©,Á,Ä,‡,é—pŽt,ðŽæ,è□œ,«□A—
pŽt,ð,»„è,¡,Á,©,‡□Ä,ÑfvfŠf“f^,ÉfZfbfg,μ,Ü,·□B
5. fgfbfvfjfo□[,ð•Ä,¶,Ü,·□B
6. fvfŠf“f^,ì“dœ¹,ð^è‘Uflft,É,μ,Ä□Ä,Ñflf“,É,μ,Ü,·□B

fvfŠf“f^f|[]fg,ì•s<i[]‡

fvfŠf“f^f|[]fg,ìfAfNfZfX,É-â'è,à, ,è,Ü,·[]B%øðCE^,ì,½,ß%ø<L,ì,±,Æ,ðŽŽ,μ,Ä,,¾,³,ç[]B

- ‘¼,ìfAfvfŠfP[]fVf‡f“ ,a“^è,ìfvfŠf“f^f|[]fg,ðfAfNfZfX,μ,Ä,ç,é,©,à,μ,è,Ü,¹,ñ[]B**Lfff“fZf<**,ðfNfŠfbfN,μA'¼,ìfAfvfŠfP[]fVf‡f“ ,©,ç,ì^óü,²Š®—¹,·,é,ì,ð'Ò,ç,Ü,·[]B
 - ,à,μfe[]fVföföfNfAfbfvftfjfbfg,ì,æ,æ,È'¼,ìffofCfX,ð“^è,ìf|[]fg,É[]Ú'±,μ,Ä,ç,é[]ê[]#[]A,±,ìffofCfX,²f|[]fg,ðŽg—p,μ,Ä,ç,é,©,à,μ,è,Ü,¹,ñ[]B**Lfff“fZf<**,ðfNfŠfbfN,μA'¼,ìffofCfX,ìf|[]fgŽg—pŠ®—¹,ð'Ò,ç,Ü,·[]B
- CE»[]ÝfvfŠf“f^,ð[]Ú'±,μ,Ä,ç,éf|[]fg,í[]AWindows,ìfRf“fgf[]f<fpf|f<,Á'ì'ð,³,è,½,à,ì,Ä, ,é,©,Ç,æ,©,ðŠm”F,μ,Ä,,¾,³,ç[]B
- CE»[]ÝŠJ,ç,Ä,ç,é,·,×,Ä,ìfAfvfŠfP[]fVf‡f“ ,ð[]l—¹,μWindows,ðfŠfXf^[]fg,μ,Ü,·[]B
- PC,ì“dCE¹,ð,ç,Á,½,ñf|ft,É,μ,Ä[]A[]Ä,Ñf|f“ ,É,μ,Ü,·[]B

,à,μ[]ã<L,ìŽè[]‡,ð,“ ,±,È,Á,Ä,à-â'è,²%øðCE^,μ,È,ç[]ê[]‡,É,í[]ACEì[]á,ì%øÄ“\[]«,², ,è,Ü,·[]B[]C—[],ì•ù-©,É,Ä,ç,Ä,í[]Af[]fU[]fYfKfCfh,ð,²—,¾,³,ç[]B

'o•ûĈÛ'Ê□M□áŠQ

,o,b,í□AfvfŠf“f^,Æ,İŠÖ,Ā'o•ûĈÛ'Ê□M,đŠm—
š,Ā,«,Û,¹,ñ□BfvfŠf“f^,í,o,b,Æ,İŠÖ,Ā'o•ûĈÛ'Ê□M,É,æ,èŠeŽí,ìî•ñĈđŠ,đ,μ,Û,·□B
%o²<L,ì□ó<μ,², ,é,©,Ç,π,©,đŠm“F,μ,Ā,,³/₄,³,ç□B

□ fvfŠf“f^,ì“dĈ¹,šfİft,Ā, ,é□B.
fvfŠf“f^,ì“dĈ¹,đ“ü,ê,Ā,,³/₄,³,ç□B

□ fRf“fgf□□[f<fpflf<,lfvfŠf“f^,ì□Ÿ'èf_fCfAf□Of{fbfNfX,É, ,é□,‘¬,É^ó□ü,šf`fFfbfN,³,ê,Ā,ç
,É,ç□B
,±,ê,đ%ođĈ^, ,é,¹/₂,β,É,í□A,Ā,¬,ì,æ,π,É,μ,Û,·□B

1. Windows,lfRf“fgf□□[f<fpflf<fAfCfRf“,đf_fuf<fNfŠfbfN,μ,Û,·□B
2. fvfŠf“f^fAfCfRf“,đf_fuf<fNfŠfbfN,μ,Û,·□B
3. fvfŠf“f^,ì□Ÿ'èf_fCfAf□Of{fbfNfX,É, ,é□Ū'±f{f^f“,đfNfŠfbfN,μ,Û,·□B
4. □,‘¬,É^ó□ü,đf`fFfbfN,μ,Û,·□B

□ fvfŠf“f^fP□[fuf<,É□áŠQ,², ,é,©,à,μ,ê,Û,¹,ñ□B
'¹/₄,lfP□[fuf<,ÉĈđŠ,μ,Ā,Y,Ā,,³/₄,³,ç□B

□ ,à,μ•j□”,lfvfŠf“f^,đŽg—p, ,é,¹/₂,βfXfCfbf`f{fbfNfX□i□Ø'ÖŠí□j,đŽg—p,μ,Ā,ç
,é,í□A,»,lfXfCfbf`f{fbfNfX,í□A'o•ûĈÛ'Ê□M,đfTf|□[fg,μ,Ā,ç,É,ç
,©□A,Û,¹/₂,í'¹/₄,lfffofCfX,šfXfe□[f^fXf%ofCf“,đŽg—p,μ,Ā,ç,é,©,à,μ,ê,Û,¹,ñ□B
,±,ì□ê□‡,lfvfŠf“f^,đ,o,b,É'¹/₄□U□U'±,μ,Ā,Y,Ā,,³/₄,³,ç□B
,à,μfXfCfbf`f{fbfNfX,đŽg—p,μ,È, ,é,í,ç, ,í,ç□ê□‡,É,í□AC:\WINDOWS\SYSTEM
fffBfĈfNfgfŠ,É, ,é HPWJCFG.EXE fvf□fOf%of€,đŽĀ□s,μ,Ā,-
,³/₄,³,ç□B'o•ûĈÛ'Ê□Mf`fFfbfNf{fbfNfX,lf`fFfbfN,đ,í,,μ□AOK,đfNfŠfbfN,μ,Û,·□B,±
,é,É,æ,è,o,b,ÆfvfŠf“f^,Æ,ì'o•ûĈÛ'Ê□M,ì<@“\,μ,Û,¹,ñ□B,±,ì□ê□‡fvfŠf“f^,ì^ê•”,ì<@“\
,í“@□ì,μ,Û,¹,ñ,²□A^ó□ü,í,Ā,«,Û,·□B

□ ,`Žg,ç,ì,o,b,²'o•ûĈÛ'Ê□M,đfTf|□[fg,μ,Ā,ç,È,ç,©,à,μ,ê,Û,¹,ñ□B
C:\WINDOWS\SYSTEM fffBfĈfNfgfŠ,É, ,é **HPWJCFG.EXE** fvf□fOf%of€,đŽĀ□s,μ,Ā,-
,³/₄,³,ç□B'o•ûĈÛ'Ê□Mf`fFfbfNf{fbfNfX,lf`fFfbfN,đ,í,,μ□AOK,đfNfŠfbfN,μ,Û,·□B,±
,é,É,æ,è,o,b,ÆfvfŠf“f^,Æ,ì'o•ûĈÛ'Ê□M,ì<@“\,μ,Û,¹,ñ□B,±,ì□ê□‡fvfŠf“f^,ì^ê•”,ì<@“\
,í“@□ì,μ,Û,¹,ñ,²□A^ó□ü,í,Ā,«,Û,·□B

fvfŠf“f^ -3%ž“š

fvfŠf“f^ , © , ç , ì % ž “ š , à , , è , Ü , 1 , ñ □ B ^ È % ž “ š , Ì Ž è □ † , ð Ž Ž , μ , Ä , , 3/4 , 3 , ç □ B



fvfŠf“f^ , ì “ d C E 1 , à “ ü , Á , Ä , ç , é , ± , Æ , ð Š m “ F , μ , Ä , , 3/4 , 3 , ç □ B



, à , μ f v f Š f “ f ^ , a f l f t f % o f C f “ , Á , , é , È , ç □ A f v f Š f “ f ^ , ì “ d C E 1 f { f ^ f “ , ð % ž “ š , μ , Ä f l f “ f % o f C f “ , É , μ , Ä , - , 3/4 , 3 , ç □ B



Ž t < l , Ü , è , ì — L - 3 , ð Š m “ F , μ , Ä , , 3/4 , 3 , ç □ B , à , μ Ž t < l , Ü , è , à , , é , Ì f t □ [f U □ [f Y f K f C f h , Ì Ž è □ † , É , μ , 1/2 , à , Á , Ä □ A < l , Ü , Á , 1/2 — p Ž t , ð Ž æ , è □ œ , ç , Ä , , 3/4 , 3 , ç □ B



f g f b f v f j f o □ [, à • Ä , Ü , Á , Ä , ç , é , ± , Æ , ð Š m “ F , μ , Ä , , 3/4 , 3 , ç □ B



fvfŠf“f^ f P □ [f u f < , à □ Ú ‘ ± , 3 , è , Ä , ç , È , ç , © □ A f P □ [f u f < , à • s — Ç , © , à , μ , è , Ü , 1 , ñ □ B f v f Š f “ f ^ f P □ [f u f < , à , μ , Á , © , è , Æ □ Ú ‘ ± , 3 , è , Ä , ç , é , © Š m “ F , μ , Ä , , 3/4 , 3 , ç □ B , à , μ , Ü , 3/4 - à “ è , à % ž “ š C E ^ , Á , « , È , ç □ è □ † , í □ A ^ á , x f P □ [f u f < , Á Ž Ž , μ , Ä , , 3/4 , 3 , ç □ B

• s“K∅,É“dCE¹fift

‘O%ñ,lfvfšf“f^Žg—p|—¹Žž,ÉA•s“K∅,É“dCE¹,đfift,μ,Ü,μ,½B

•K, ,fvfšf“f^,ì“dCE¹{f^f“,đ%Ÿ,μ,Älf“f%fcf“,É,μ,Ä,,¾,¾,çB

fvfšf“f^,á^óü’t,Ü,½,Ígfbfvfjfo[,áš],ç,Ä,ç,éó’Ô,ÅAfvfšf“f^,ì“dCE¹{f^f“,đfift,·,é,±,Æ,È,-
fvfšf“f^,ì“dCE¹,á∅,ê,Ü,μ,½B,±,ìê±fvfšf“fgj[fgfšfbfW,íA³<K,lfjWfVf†“,É-ß,é,±
,Æ,á,Ä,«,Ü,¹,ñB,±,ê,É,æ,èfvfšf“fgj[fgfšfbfW,lfmfYf<,áš£‘†,μAfCf“fN<l,Ü,è,ìCE^ö,É,È,è,Ü,·B

,±,ê,đ”đ,¯,é,½,ß,ÉAfvfšf“f^,á^óü,đš®—¹,μ“®ì,đ’âž~,μ,Ä,©,çfvfšf“f^,ì“dCE¹,đ∅,é,æ,κ
,É,É,μ,Ü,·B

,à,μfvfšf“f^,ì^óü•ižž,á’á%º,μ,Ä,«,Ä,ç,é,æ,κ,Ä,μ,½,çAHP

**DeskJetXfe[f^fXf,fjf^“à,lf“fefif“fX,É, ,éfvfšf“fgj[fgfšfbfW,ìNfš[fjf“fo,đžÀž{,
μ,Ü,·B**

fCf“fNŽc—Ê

fvfŠf“fgfj[]fgfŠfbfW,lfCf“fN,².ó,©Žc—Ê,²,È,,È.Á,Ä,¢
,Û,·B[]V,µ,¢fvfŠf“fgfj[]fgfŠfbfW,ÉCEđŠ·,µ,Ä,,¾,³,¢[]B

fvfŠf“f^ f□f,fŠ•s‘«

fvfŠf“f^,lf□f,fŠ,•s‘«„μ,Ä,“,è□ACE»□Ý,ì•□□‘,đ^ó□ü,Á,«,Ü,¹,ñ□B^È%°°,ìŽè□#,É□],Á,Ä
%°°đCE^,μ,Ä,,¾,¾,¾,¾□□B

1. •□□“à,ÁŽg—p,•,éftfHf“fg,ì□”,đCE,ç,μ,Ü,•□B□i‘½□”,lf_fEf“f□□[fhftfHf“fg,đŽg—
p,•,é,ÆfvfŠf“f^,lf□f,fŠ,đ□Á“i,μ,Ü,•□B□j
2. fvfŠf“f^,ì“dCE¹,đflf“flft,μ,Ü,•□B,±
,ê,É,æ,è,•,Á,ÉfvfŠf“f^,Éf_fEf“f□□[fh,μ,½ftfHf“fg,đ□Á<Ž,μ,Ü,•□B
3. **C:\WINDOWS\SYSTEM** fffBfCEfNfgfŠ,É, ,é **HPWJCFG.EXE** fvf□fOf%of€
,đŽÀ□s,μ,Ü,•□BTrueTypeftfHf“fg,lf_fEf“f□□[fhf`fFfbfNf{fbfNfX,lf`fFfbfN,đ,í,•,μOK,đ
fNfŠfbfN,μ,Ü,•□B

<@ŠB“lfGf%oo□□

Žt<l,Ü,è,©'¼,ìáŠQ•,²fvfŠf“fgj□[fgfŠfbfW,ì%oÂ“@“í^í,É,è,Ü,·□Bfgfbfvfjfo□[,ðŠj,¬áŠQ•,ì—
L-³,ðŠm”F,μ,Ü,·□B□áŠQ•,²,è,íŽæ,è□œ,«,Ü,·□BfvfŠf“f^,ì“dCE¹,ðfift,É,μ□Ä“xfif“,É,μ,Ü,·□B

,à,μŽt<l,Ü,è,²,è,î□A^È%oº,ìŽè□†,É,μ,½,²,Á,ÄŽæ,è□œ,†,Ä,,¾,¾,†□B

1. fgfbfvfjfo□[,ðŠj,¬,Ü,·□B
2. fvfŠf“f^,ìfCEfWf...□[f€f{f^f“,ð%öÿ,μ,½,Ü,Ü,É,μ,Ü,·□B—pŽt,²è•ûCEü,É'—,ç,è,Ü,·□B
3. fvfŠf“f^,ìfCEfWf...□[f€f{f^f“,ð•ú,μ,Ä,©,ç□Ä,Ñ“¬f{f^f“,ð%öÿ,μ,½,Ü,Ü,É,μ,Ü,·□B—
pŽt,²□æ,Ü,Ç,Æ,í”½'í•ûCEü,É'—,ç,è,Ü,·□B—
pŽt,²Žæ,è□œ,¬,é,Ü,Ä^È□ä,ì'€□ì,ðCEj,è•Ö,μ,Ü,·□B
4. ^ø,Á,©,©,Á,Ä,†,é—pŽt,ðŽæ,è□œ,«□A—pŽt,ð,»,è,ì,Ä,©,ç□Ä,ÑfvfŠf“f^,ÉfZfbfg,μ,Ü,·□B
5. fgfbfvfjfo□[,ð•Á,¶,Ü,·□B
6. fvfŠf“f^,ì“dCE¹,ð^è'Ufift,É,μ,Ä□Ä,Ñfif“,É,μ,Ü,·□B

fffBfXfNfXfy[]fX•s'«

fvfŠf“f^fhf%oofCfo,íA^óü,μ,æ,π
,Æ,·,é•¶[]ftf@fCf<,ð^êŽž“l,Éfn[]fhfffBfXfN,É•Û'¶,μ,Û,·B^êŽž“l,È•Û'¶[]êŠ,Æ,μ,Ä,íA'Êí c:\
tmp,Û,½,l c:\temp,É•Û'¶,³,è,Û,·iNEC PC98,ìê[]#,í'Éí'Û,È,Á,½fhf%oofCfu,É,È,è,Û,·[]B,±
,è,ç,ìfffBfCfNfgfŠ,É, ,éftf@fCf<,ðí[]œ,μ,Ä,,¾,³,ç[]B

,à,μ^óü•”[]”,Û,½,í^óü[]#[]~flfvfVf#f“,ðŽg—p,μ,Ä,ç,é[]ê[]#,É,íA,æ,è'½,,ìfffBfXfNfXfy[]fX,ðŽg
—p,μ,Û,·B^óü•”[]”,ð^ê•”,Æ,·,é,©A,Û,½,í^óü[]#[]~flfvfVf#f“,ìf`fFbfN,ð,í,,μ,Ä,,¾,³,ç[]B

'¾,ì%oðCE^•û-@,Æ,μ,Ä[]fvfŠf“fgf}f[]fWff,ðflft,É,·,é,Æ,ç,π•û-@,à, ,è,Û,·[]B
ROBOHELPROBOHELP

fXfv [f<fGf%o [

^óü,μ,æ,π,Æ,·,é•¶'ftf@fCf<,ðfXfv [fŠf“fO,Å,«,Ü,¹,ñB
fvfŠf“fgf}f [fWff,ðfift,É,μ,ÄAÄ“x^óü,ð,μ,Ä,,³/₄,³,çB

fvfŠf“fgf}f [fWff,ðfift,É,·,é,É,íA%o<L,ìžè±,É,μ,¹/₂,^a,Á,Ä,,³/₄,³,çB

- 1. fRf“fgf [f<fpflf<**,É,·,é**fvfŠf“f^fAfCfRf“**,ðf_fuf<fNfŠfbfN,μ,Ü,·B
- 2. fvfŠf“fgf}f [fWff,ðžg**,πf`fFfbfNf{fbfNfX,lf`fFfbfN,ð,í,,·B
- 3. [l—¹**,ðfNfŠfbfN,μ,Ü,·B
- 4. [Ä“xfvfŠf“fg**,μ,Ü,·B

,±,è,É,æ,èA^óü,·,é•¶'ftf@fCf<,ðfvfŠf“fgf}f [fWff,É'—,é,±,Æ,È,-
^óü,ðŠžn,μ,Ü,·B,±,íè±^óü,^aŠ@—¹,·,é,Ü,ÄAfvfŠfP [fVf}f“f\ftgfEfFfA,É,í-
β,é,±,Æ,^a,Ä,«,Ü,¹,ñB

HPfXfv [f%o,É,Â,ç,Ä

HPfXfv [f%o,Æ,Í H

HPfXfv [f%o fEfCf“fhfE

fXfv [f< fffBfCfNfgfŠ,ì•í X

^óüftf@fCf<,ííœ

HPfXfv[]f%o,Æ,í[]H

HPfXfv[]f%o,Æ,í[]A^óü,μ,æ,π,Æ,·,é•¶[]',ðŠÇ—[],·,éŠÇ—[]\
ftfgfEjFfA,Å,·[]B^óü,·,é•¶[]',ð^êŽž“l,Èftf@fCf<,É•Û'¶,μ[]A•Ê,ì[]i<Æ,ð,μ,Ä,ç
,éSÖ,É[]A,»,)ftf@fCf<,ðfvfŠf“f^,Ö'—,è,Û,·[]B
HPfXfv[]f%o,í[]AWindows,lfvfŠf“fgf}f[]fWff,É'u,«Š,í,è,Û,·[]B

HPfXfv□[f%ofEfCf“fhfE

HPfXfv□[f%ofEfBf“fhfE,í□AfVfXfef€,É□V,μ,fCf“fXfg□[f<,³,ê,½fvfŠf“f^,lfŠfXfg,ð•\
Ž|,μ,Û,·□BŠefvfŠf“f^-¼,ì%°º,É^ó□ü't, ,é,ç,í'Ò<@'t,ì•¶□',lfŠfXfg,ª•\Ž|,³,ê,Û,·□B•¶□'f□ffj...
□['t,ì^ó□üfLfff“fZf<,ðŽg,ì,î□A•\Ž|,³,ê,½,Ç,lfvfŠf“f^,ì^ó□ü,àfLfff“fZf< , ,é,±,Æ,ª,Å,«,Û,·□B

fEfBf“fhfE,ì•□,ð•î□X,·,é□B

HPfXfv□[f%ofEfBf“fhfE,ì•□,ð•î□X,·,é,É,í□Af}fEfX,ðŽg,Á,Äf□ffj...□[fo□[,ì%°º,ìfo□[,ìffj
%of€f{□[f_□[,ðfhf%ofbfO,μ,Û,·□B

fXfv[]f< fffBfCEfNfgfŠ,ì•ï[]X

HPfXfv[]f%o,ìfXfv[]f<fffBfCEfNfgfŠ,É□A^êŽž“l,É^ó□üftf@fCf<,ð□ì□¬,μ,Û,·□B,à,μHPfXfv[]f%o,³fffBfXfN,ìfXfy[]fX,ðŽg,ç□Ø,é,æ,α,É,Æ,«,É,í□A,±,ìfìfvfVf#f“,ðŽg,Á,ÄfXfv[]f<—p,É•É,ìfhf%oofCfu,ÆfffBfCEfNfgfŠ,ð'ì'ð,μ,Û,·□B

1. HPfXfv[]f%ofEfBf“fhfE,ðŠj,,É,í□A%oæ-Ê,ì%oº,ìfXfv[]f%ofAfCfRf“,ðf_fuf<fNfŠfbfN,μ,Û,·□B,à,μfXfv[]f%ofAfCfRf“,ªCE©,Â,©,ç,È,¬,ê,î□Afvf□Of%oof€f}fì□fWff,Û,½,ìftf@fCf<f}fì□fWff,©,çWindowsfffBfCEfNfgfŠ,É, ,éHPWJSPR.EXEftf@fCf<,ðŽÁ□s,μ,Û,·□B
2. f□fjf...□f□□l,©,çfìfvfVf#f“,ð'ì'ð,μ,Û,·□B
3. f□fjf...□l,©,çfìfvfVf#f“•ï[]X,ð'ì'ð,μ,Û,·□B
4. •\Žl,³,é,½f_CfAf□Of{fbfNfX,ÄfXfv[]f<fffBfCEfNfgfŠ,ð'ì'ð,μ,Û,·□B
5. OK,ðfNfŠfbfN,μ,Ä'ì'ð,μ,½“à—e,ð•Û'¶,μ,Û,·□B

•É,ìfXfv[]f<fffBfCEfNfgfŠ,ðŽw'è,·,é,Æ□AZŽÿ,É•¶□',ð^ó□ü,·,é,Æ,«,É□%o,ß,Ä—LCEø,É,È,è,Û,·□B

^óüftf@fCf<,lííœ

HPfXfv[f%ofEjBf“fhfE,É•Žl,³,ê,Ä,ç,éfvfŠf“f^,ì^óü,ðfLfff“fZf<,.é,É,Í•¶f“f“fj...
[.,©,ç^óü,lfLfff“fZf<,ð'í'ð,μ,Û,·B

fAfCfhf<A^óü't, ,é,ç,í^êžž'âž~,l'ó'Ô,É, ,é•¶f“í,ç,Ä,Ä,àííœ,Ä,«,Û,·B
fvfŠf“f^,Ö'—,ç,ê,½,·,×,Ä,í•¶f“,ðííœ,·,é,É,íAHPfXfv[f%ofEjBf“fhfE,ð•Ä,¶,Ä,,¾,³,çB

